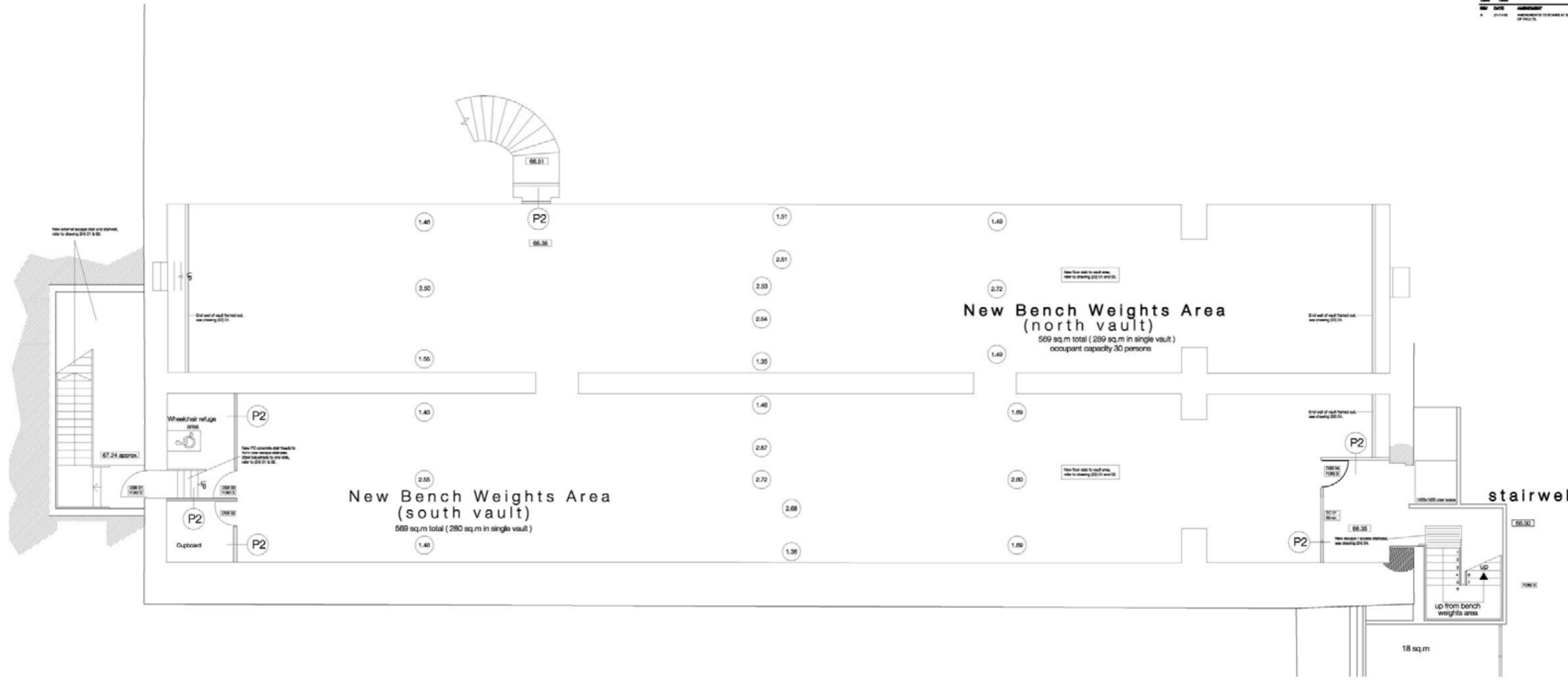
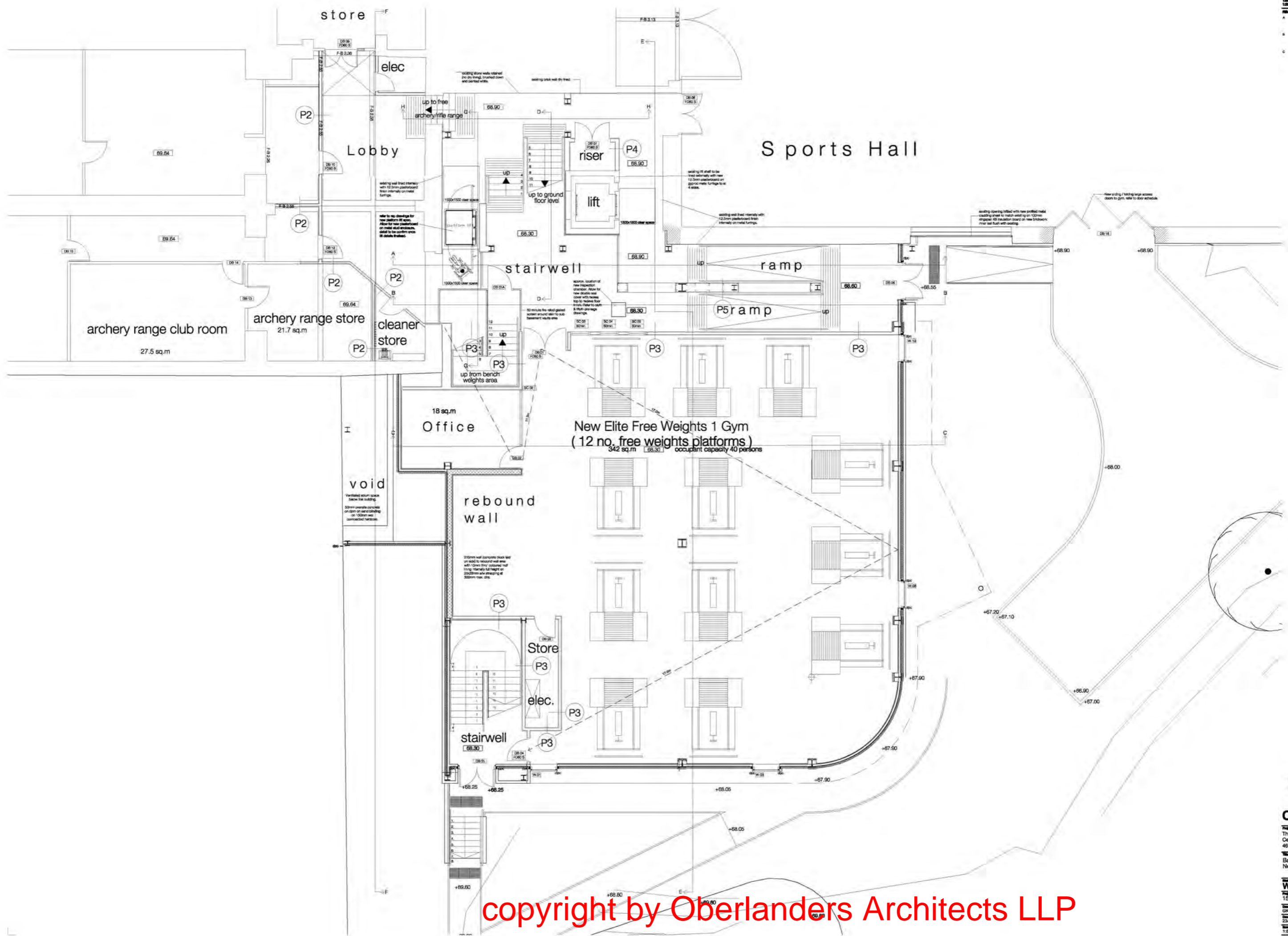


Bench capacity	
All Benches - All Benches	All Benches - All Benches
1.50	1.50
1.50	1.50
1.50	1.50
1.50	1.50



copyright by Oberlanders Architects LLP

REV	DATE	AMENDMENT
A	21-11-08	AMENDMENTS TO CENTRAL STAIRWELL, RAMP TO GYM AND ARCHERY RANGE STORES AND LOCAL WINDERS.
B	28-11-08	AMENDMENTS TO CENTRAL STAIRWELL, CLEANER STORES RELOCATED TO ALLOW FOR EL. CURBING.
C	18-04-09	NOTES ADDED.



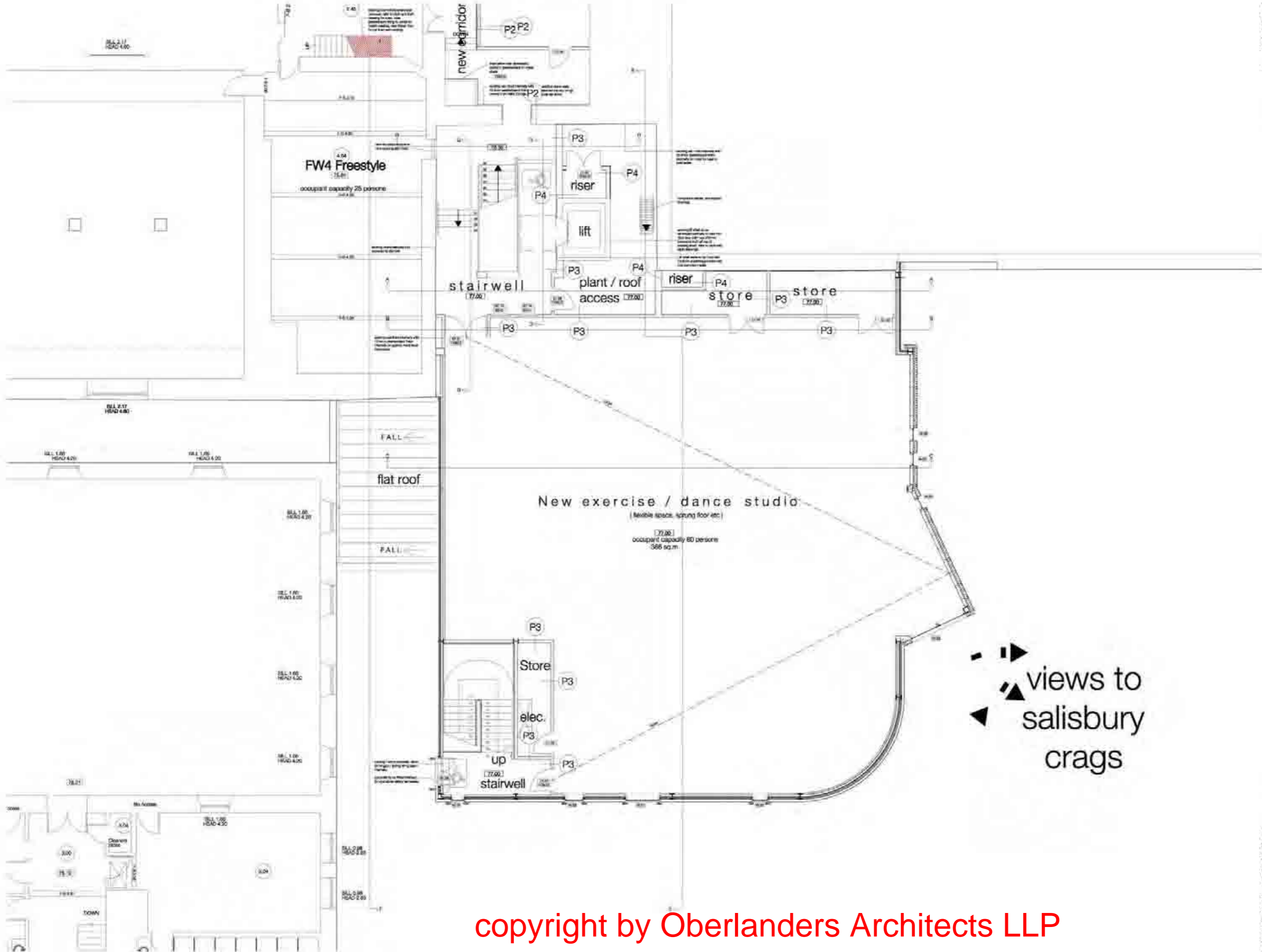
copyright by Oberlanders Architects LLP

oberlande
 The University of Edinburgh
 Centre for Sport & Exercise
 46 Pleasance, Edinburgh

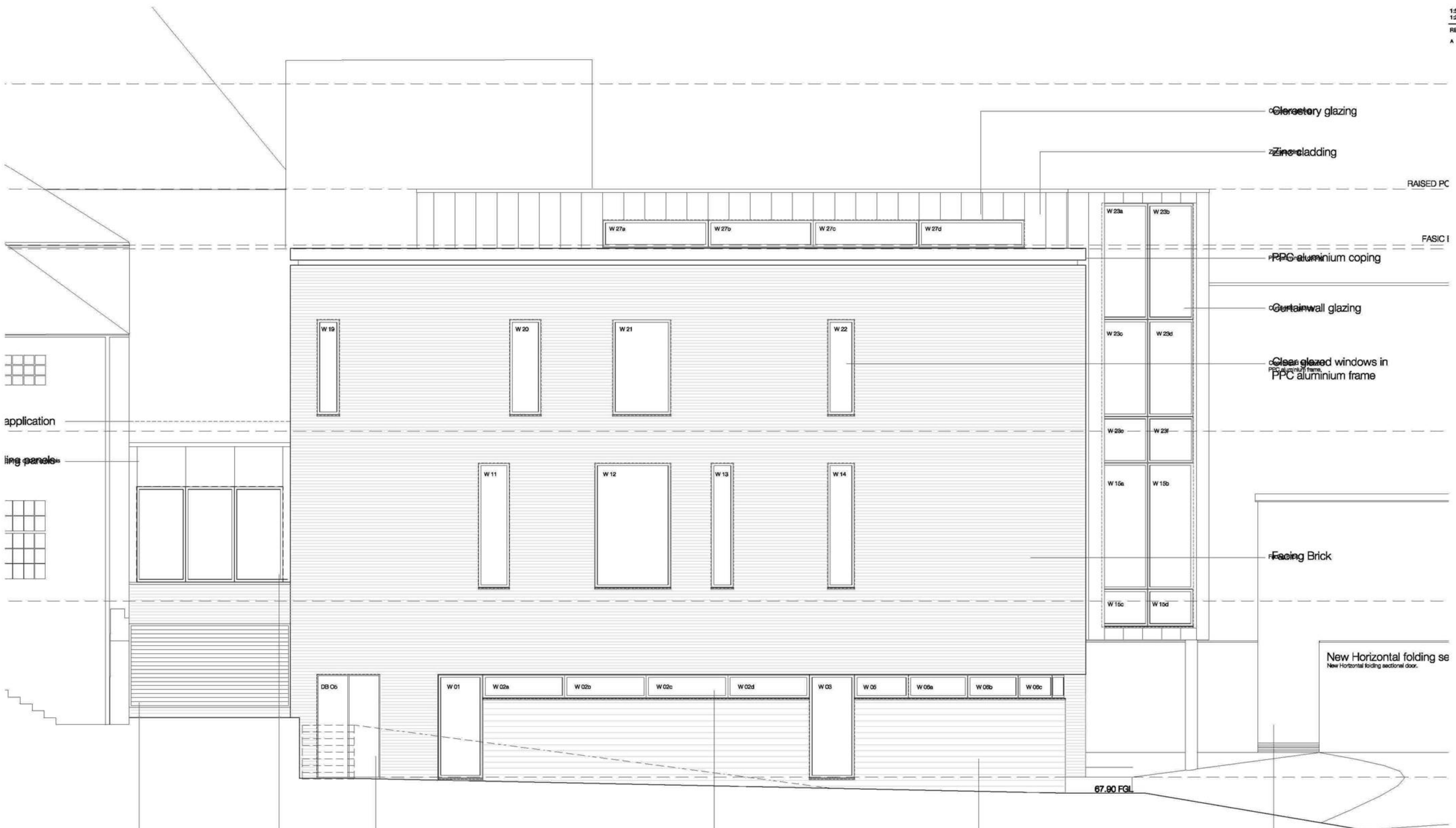
Basement Level Plan
 New Extension

Warrant
 1557-(0-) 04-C

Drawn by: GK
 Checked by: GK
 Date: 23/10/2008
 Scale: 1:50
 www.oberlander.com



1:50	1:100	1:100	1:200
1:250	1:500		
REV	DATE	AMENDMENT	
A	15-12-08	Window height altered to suit manufacturer's max. sizes, concrete wall altered to contrast colour brickwork.	



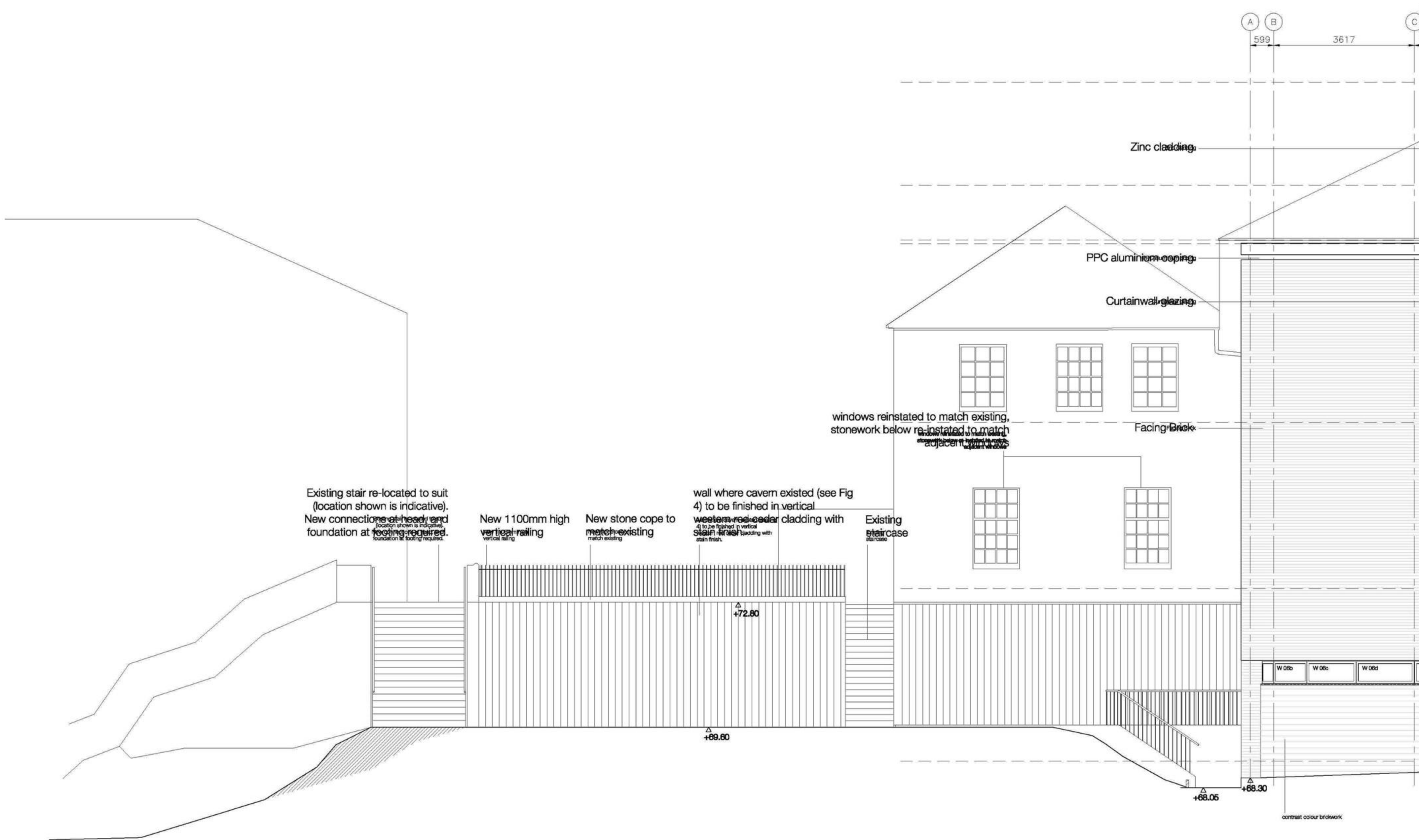
Louvered Screen. Refer to detailed drawing
 Glazed link to Fasic building
 Steel doorset in frame to match windows
 Clear glass clerestory windows in polyester powder coated (PPC) aluminium frame
 contrast colour brickwork
 Remove doors, infill with cladding to match existing



Project Name
 The University of Edinburgh
 Centre for Sport & Exercise
 46 Pleasance, Edinburgh
 Title
 South Elevation

Status
Warrant
 Project no. - Drawing no. - Revision
 1557-(0-) 09-A
 Drawn By
 GK Oberlanders Architects LLP
 52 George Street Edinburgh EH2 2LR
 T 0131 226 9070
 F 0131 220 0783
 E mail@oberlanders.co.uk
 www.oberlanders.co.uk
 Scale (s) @ A1
 1:50

1:50	1:100	1:100	1:200
1:250	1:500		
REV	DATE	AMENDMENT	
A	15-12-08	Window height altered to suit manufacturer's max sizes, concrete wall altered to contrast colour brickwork.	



oberlanders

Project Name
The University of Edinburgh
Centre for Sport & Exercise
46 Pleasance, Edinburgh

Title
East Elevation

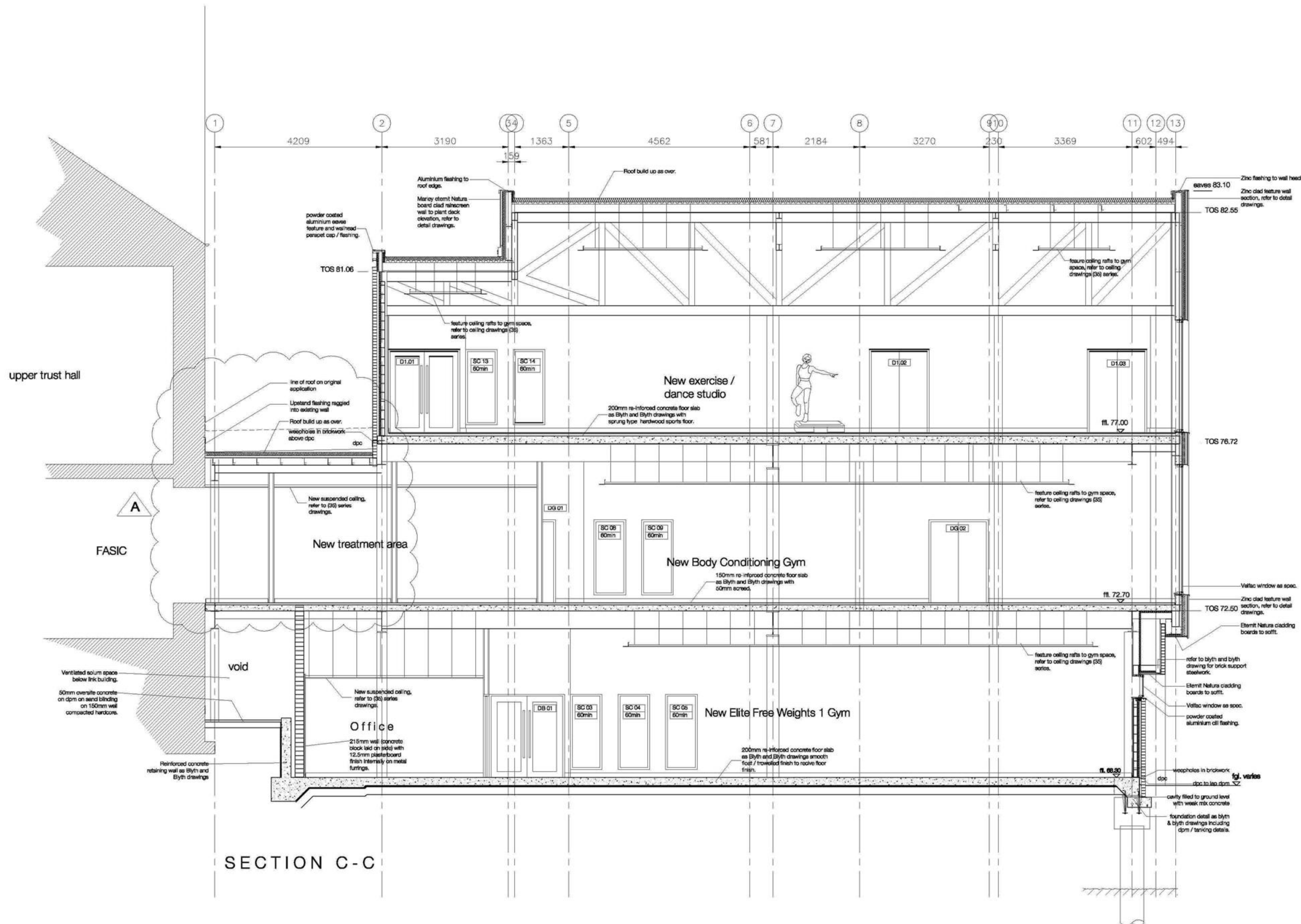
Status
Warrant

Project no. - Drawing no. - Revision
1557-(0-) 10-A

Drawn By GK	Oberlanders Architects LLP 52 George Street Edinburgh EH2 2LR T 0131 225 9070 F 0131 220 0783
Drawn Date 23/10/2008	E mail@oberlanders.co.uk
Scale (s) @ A1 1:50	www.oberlanders.co.uk

A1 Scale - A3 Scale		A1 Scale - A3 Scale	
1:1	1:2	1:5	1:10
1:10	1:20	1:25	1:50
1:50	1:100	1:100	1:200
1:250	1:500		

REV	DATE	AMENDMENT
A	09-03-08	AMENDMENTS TO ROOF HEIGHT OF NEW LINK TO THE FASIC BUILDING.



Construction Notes

Ground level floor specification
 50mm screed on 200mm thick reinforced concrete slab on wickover dpm on 25mm Kingspan K3 insulation on 200mm well compacted and bladed type 1 on compacted sub-grade as Blyth & Blyth drawings. Construction to give 0.25W/mq.mK U-value.

External wall specification - Brickwork
 102.5mm facing brick outer leaf, 100mm cavity with 60mm Kingspan K5 insulation, 100mm blockwork inner leaf with 12.5mm plasterboard lining on metal lathings / gyprock framing system internally (seal / filled brick to plasterboard). Construction to give 0.25W/mq.mK U-value.

External wall specification - Zinc clad steel
 VM zinc clip steel cladding with standing seam on 10mm wip plywood fixed with steel clews or stud profile rails vertically, with ventilated air space, through 60mm Kingspan K16 insulation to 12mm Pyro or similar fire cement board on Metasec or similar SFS framing system. 12.5mm plasterboard inner lining on gyprock metal framing. Construction to give 0.25W/mq.mK U-value.

Roof specification (main roof)
 Insulated (sawdust) TPO or equal single ply membrane (lead grey colour with standing seam profile) on Kingspan Thermaper T140 LPOFPM insulation on vapour control layer on metal roof deck on permanent metal deck structure as structural engineers details. Construction to give 0.25W/mq.mK U-value.

Roof specification (plant deck)
 Insulated (sawdust) TPO or equal single ply membrane (lead grey colour with standing seam profile) on Kingspan Thermaper T140 LPOFPM insulation on vapour control layer on 100mm concrete roof deck on permanent metal deck structure as structural engineers details. Construction to give 0.25W/mq.mK U-value.

Window Specification
 Velux 200 double glazed composite timber / aluminium window system. Glazing: 4-16-4, argon filled cavity with warmedge spacer and low-e coating on sides 2 & 3. U-Value: 1.47W/mq.mK.

SECTION C-C



Project Name
 The University of Edinburgh
 Centre for Sport & Exercise
 46 Pleasance, Edinburgh

Title
 Section C-C

Status
Planning

Project no. - Drawing no. - Revision
 1557-(0-) 18-A

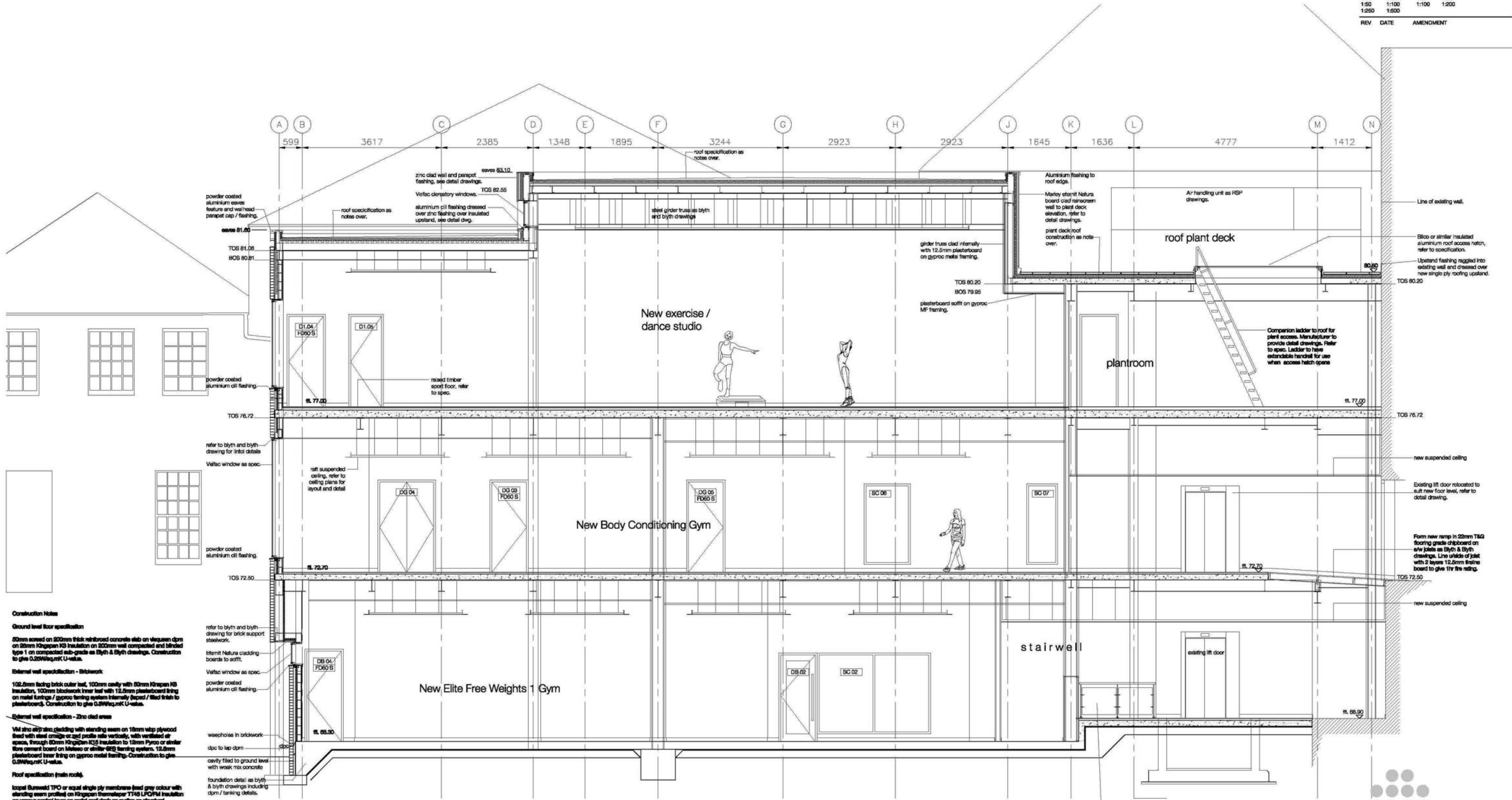
Drawn By
 SAC

Drawn Date
 14/12/2008

Scale (s) @ A1
 1:50

Oberlanders Architects LLP
 16 Melville Street Edinburgh EH3 7NS
 T 0131 226 9070
 F 0131 220 3763
 E mail@oberlanders.co.uk
 www.oberlanders.co.uk

REV	DATE	AMENDMENT	
1:1	1:2	1:5	1:10
1:10	1:20	1:25	1:50
1:50	1:100	1:100	1:200
1:250	1:500		



Construction Notes

Ground level floor specification
 50mm screed on 200mm thick reinforced concrete slab on w/lequon dpm on 20mm Kingspan IG insulation on 200mm well compacted and bladed type 1 on compacted sub-grade as Elyth & Blyth drawings. Construction to give 0.25W/m²K U-value.

External wall specification - bitelocork
 102.5mm facing brick outer leaf, 100mm cavity with 50mm Kingspan IG insulation, 100mm blockwork inner leaf with 12.5mm plasterboard lining on metal fixings / gyproc framing system internally (siped / filled with plasterboard). Construction to give 0.25W/m²K U-value.

External wall specification - zinc clad areas
 Vm zinc aliphatic cladding with standing seam on 18mm wbp plywood fixed with steel conical end profile into vertically, with ventilated air space, through 50mm Kingspan IG insulation to 12.5mm Gyproc or similar fire cement board on Metasec or similar GFR framing system. 12.5mm plasterboard inner lining on gyproc metal framing. Construction to give 0.25W/m²K U-value.

Roof specification (main roof)
 Insulated Gablewell TPO or equal single ply membrane (red grey colour with standing seam profile) on Kingspan Thermaper T148 LPOFM insulation on vapour control layer on metal roof deck on purlins as structural engineers details. Construction to give 0.25W/m²K U-value.

Roof specification (plant deck)
 Insulated Gablewell TPO or equal single ply membrane (red grey colour with standing seam profile) on Kingspan Thermaper T148 LPOFM insulation on vapour control layer on 150mm concrete roof deck on permanent metal deck structure as structural engineers details. Construction to give 0.25W/m²K U-value.

Window Specification
 Valfac 200 double glazed composite timber / aluminium window system, Glazing: 4-16-4, argon filled cavity with warmedge spacer and low-e coating on sides 2 & 3. U-Value: 1.47W/m²K.

SECTION E-E

oberlanders

Project Name
 The University of Edinburgh
 Centre for Sport & Exercise
 46 Pleasance, Edinburgh

Title
 Section D - D

Status
Warrant

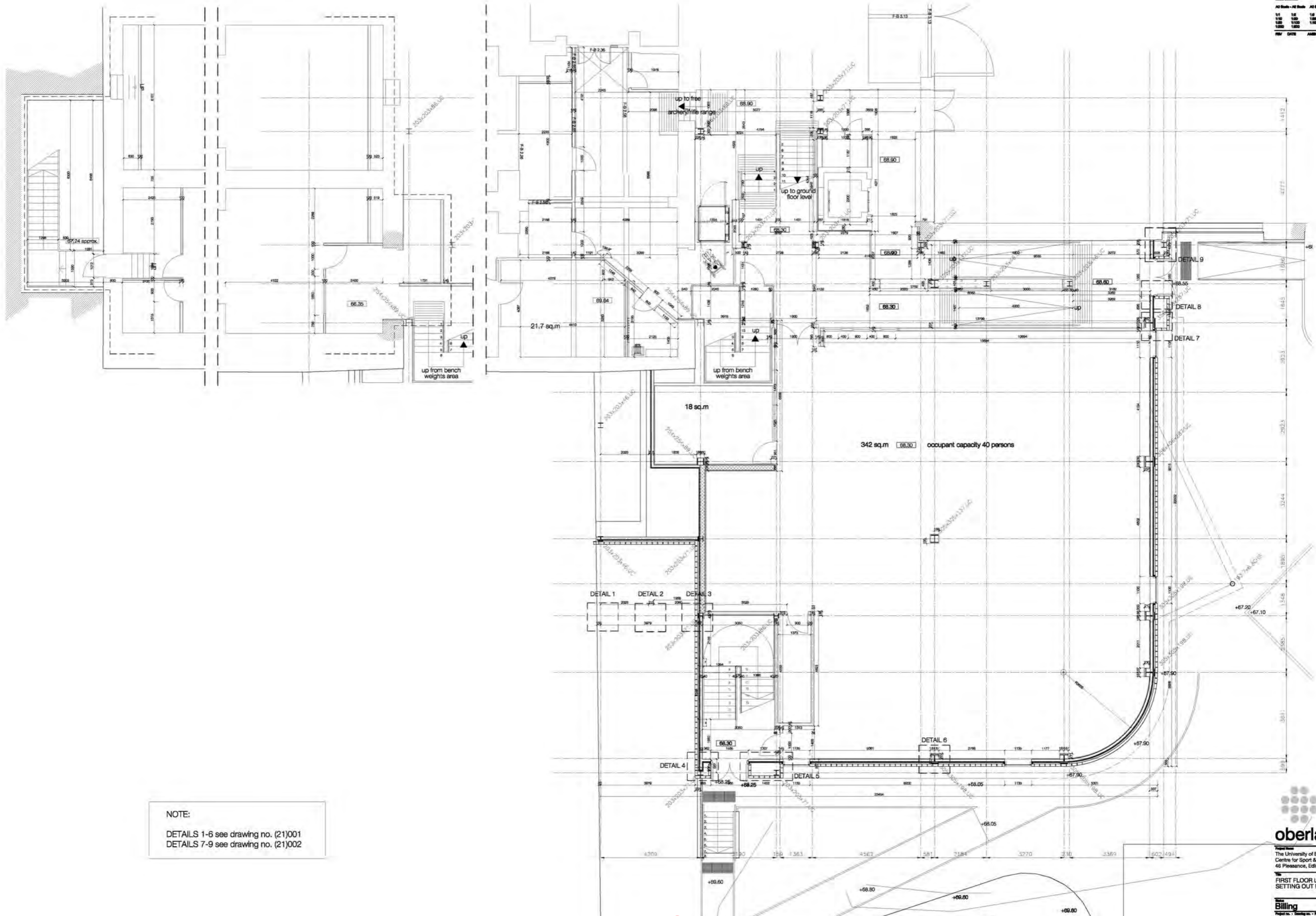
Project no. - Drawing no. - Revision
 1557-(0-) 19

Drawn By
 SAC

Created By
 Oberlanders Architects LLP
 16 Melville Street Edinburgh EH3 7NS
 T 0131 226 9070
 F 0131 220 0765
 E mail@oberlanders.co.uk
 www.oberlanders.co.uk

Scale (s) @ A1
 1:50

Scale summary			
AS Built - All Scale	AS Built - All Scale	AS Built - All Scale	AS Built - All Scale
1:1	1:5	1:10	1:10
1:20	1:25	1:50	1:50
1:50	1:50	1:100	1:100
1:50	1:50	1:100	1:100
REV	DATE	AMENDMENT	



NOTE:
 DETAILS 1-6 see drawing no. (21)001
 DETAILS 7-9 see drawing no. (21)002

copyright by Oberlanders Architects LLP

oberlande

Project Name
 The University of Edinburgh
 Centre for Sport & Exercise
 46 Pleasance, Edinburgh

1st
 FIRST FLOOR LEVEL
 SETTING OUT PLAN

Scale
Billing
 1557-0-330

Drawn by
 JS

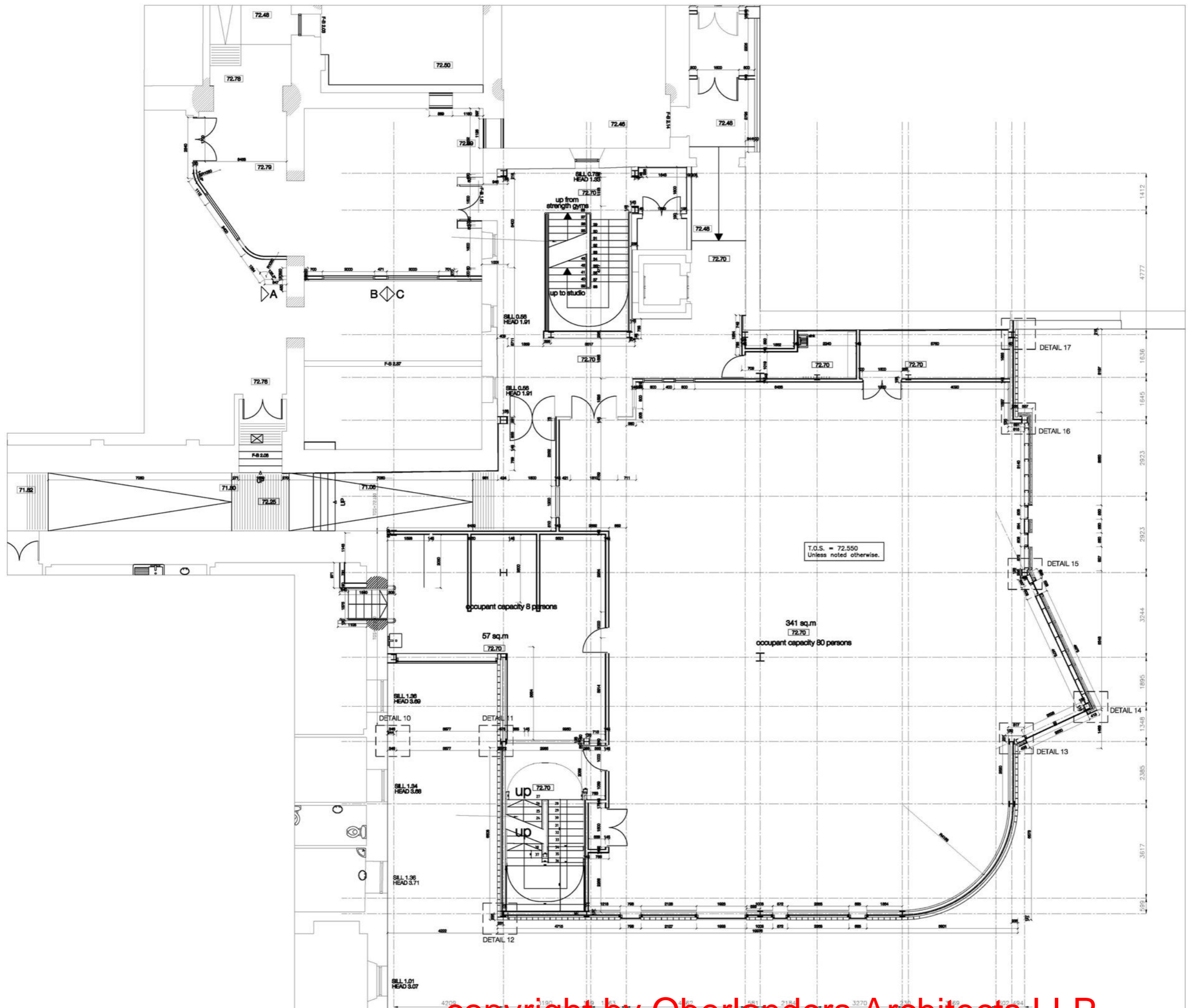
Checked by
 OS

Date
 02/02/2009

Scale
 1:50

Overlanders Architects
 18 South Street
 T: 0131 220 0970
 F: 0131 220 0972
 E: info@oberlander.com
 W: www.oberlander.com

Scale summary			
AS Built - AS Built	AS Built - AS Built	AS Built - AS Built	AS Built - AS Built
1:1	1:5	1:5	1:10
1:5	1:5	1:5	1:5
1:5	1:5	1:5	1:5
1:5	1:5	1:5	1:5
REV	DATE	AMENDMENT	



NOTE:
 DETAILS 10-12 see drawing no. (21)002
 DETAILS 13-17 see drawing no. (21)003

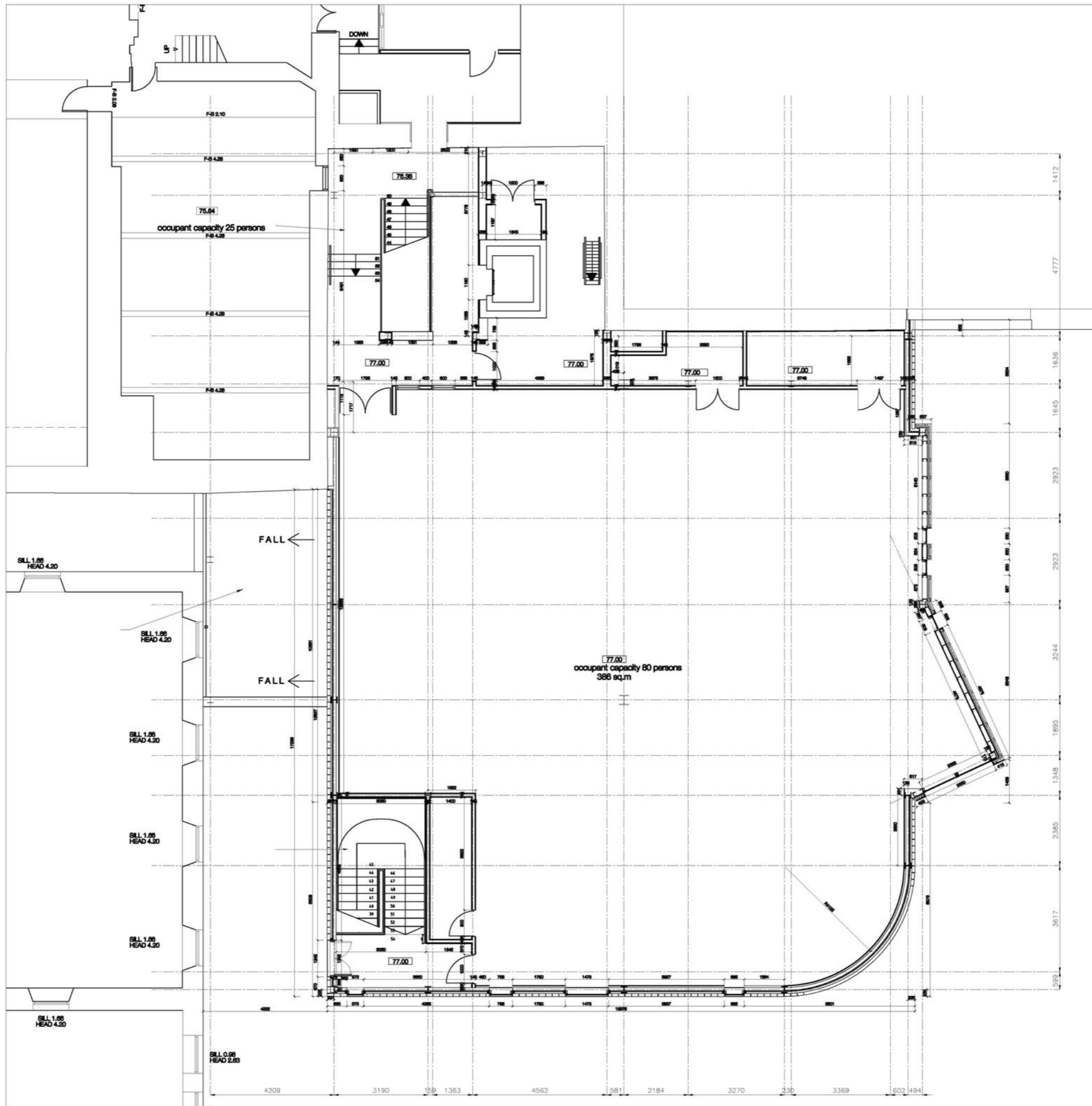
copyright by Oberlanders Architects LLP

oberlander
 The University of Edinburgh
 Centre for Sport & Exercise
 46 Pleasance, Edinburgh

Billing
 1557-0-31

Drawn by: **Charlotte Arnold**
 10 March 2019
 02/02/2019
 1:50
 www.oberlander.com

BIMB commentary			
AD	AD	AD	AD
1:1	1:5	1:5	1:10
1:20	1:25	1:50	1:50
1:50	1:50	1:100	1:50
1:50	1:50		
REV	DATE	AMENDMENT	



copyright by Oberlanders Architects LLP

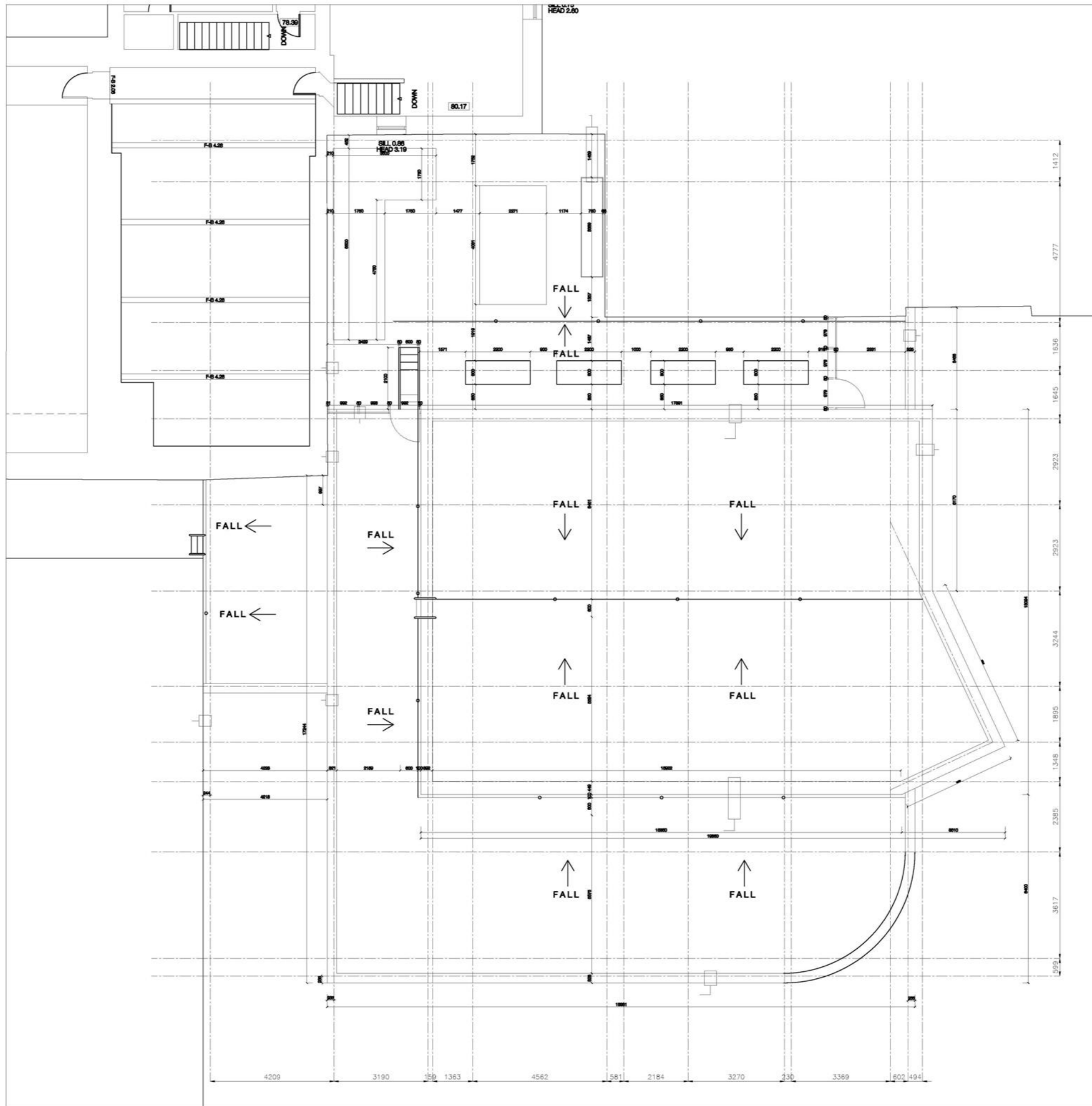
oberlander
 The University of Edinburgh
 Centre for Sport & Exercise
 46 Pleasance, Edinburgh

Billing
 1557-0-332

Drawn by: JS
 Checked by: JS
 Date: 02/02/2009
 Scale: 1:50

Overlander Architects
 10 Lincoln Street Edinburgh
 T: 0131 220 0970
 F: 0131 220 0970
 E: info@oberlander.co.uk
 www.oberlander.co.uk

Roof summary			
AD	AD	AD	AD
1/1	1/2	1/3	1/10
1/20	1/20	1/20	1/20
1/20	1/20	1/20	1/20
1/20	1/20	1/20	1/20
REV	DATE	AMENDMENT	



copyright by Oberlanders Architects LLP

oberlander
 The University of Edinburgh
 Centre for Sport & Exercise
 46 Pleasance, Edinburgh

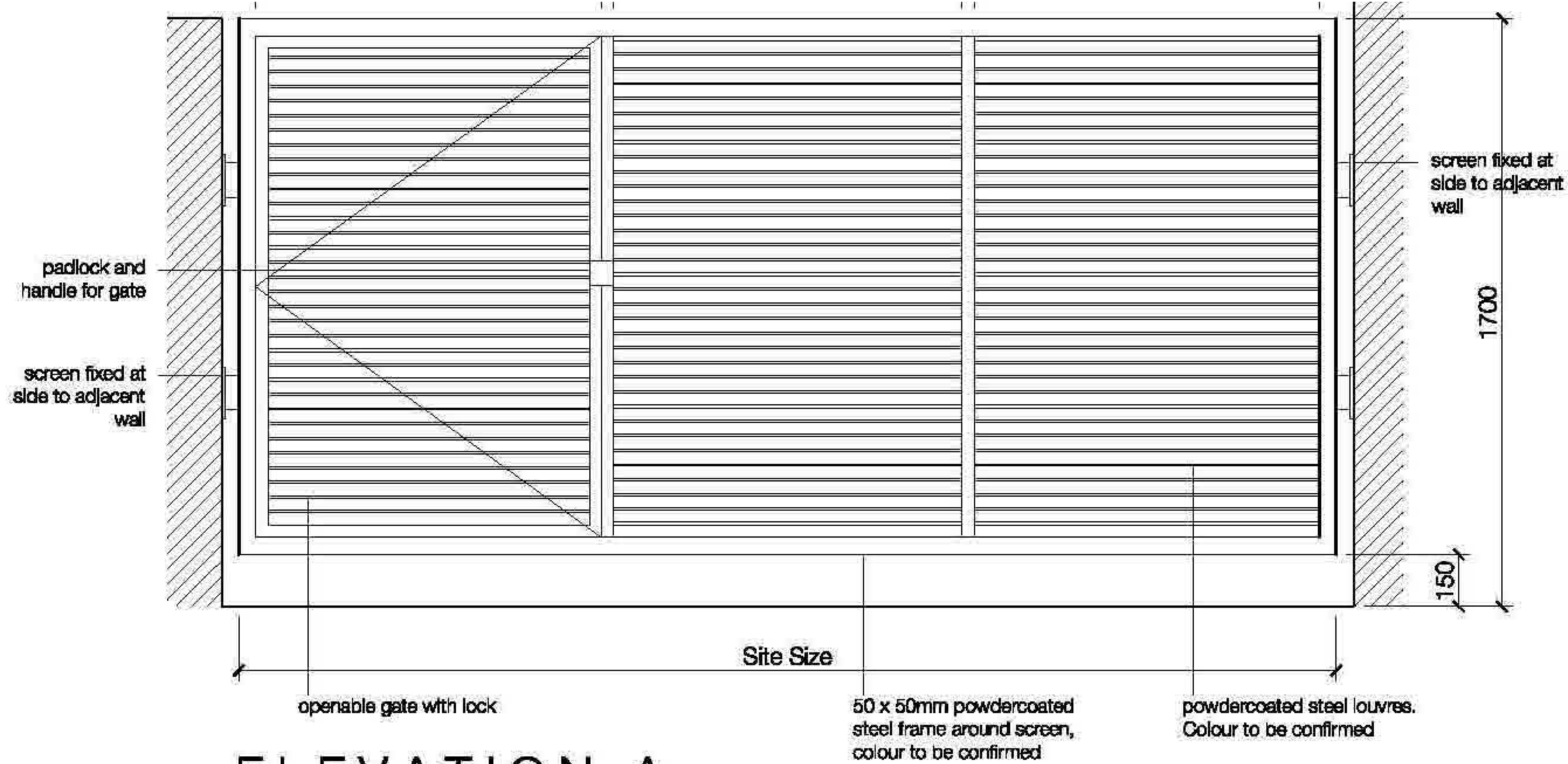
Roof Setting Out Plan

Billing
 1557-0-333

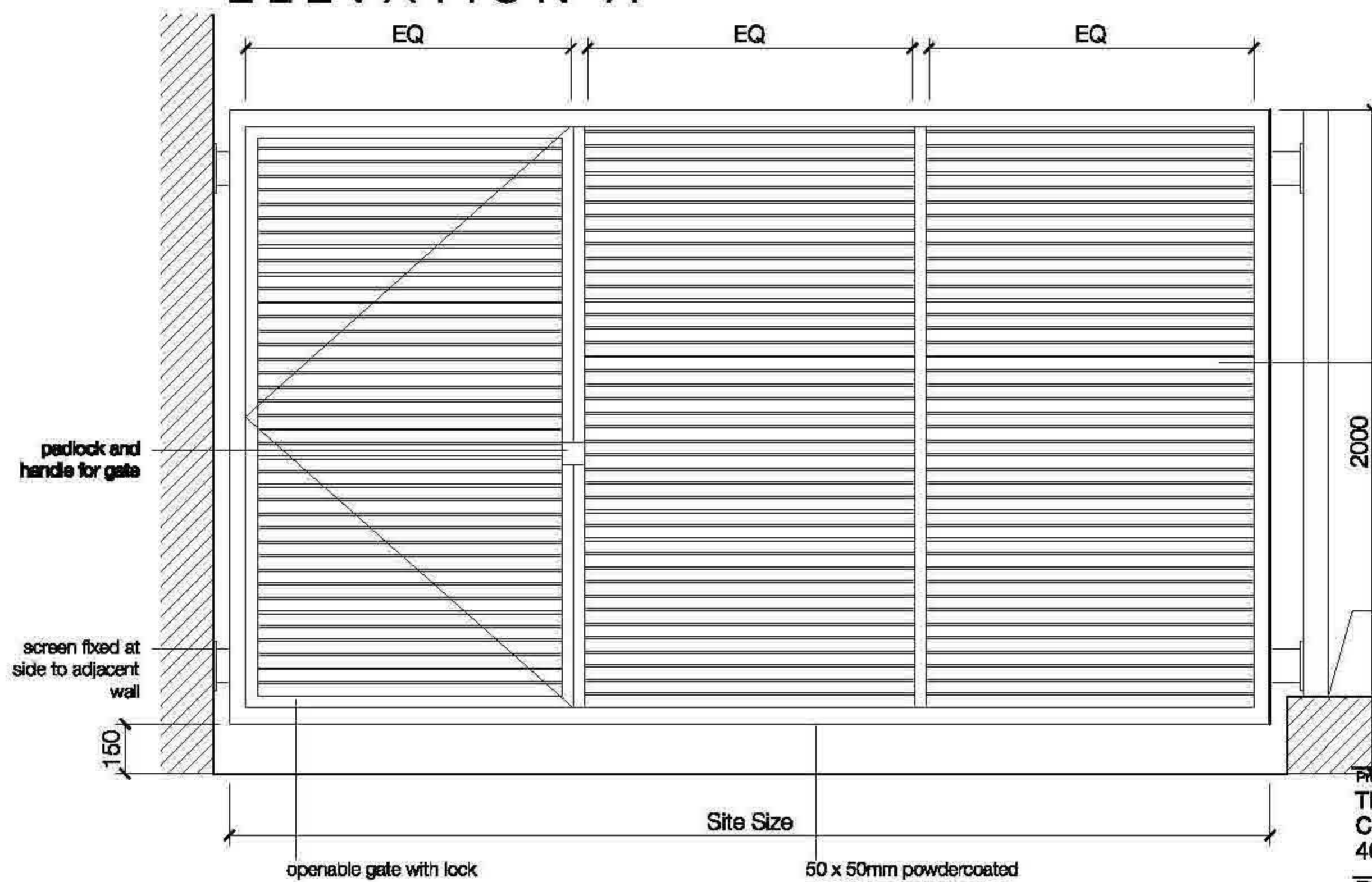
Drawn by: JS
 Date: 02/02/2009
 Scale: 1:50

Checked by: JH
 Date: 02/02/2009
 Scale: 1:50

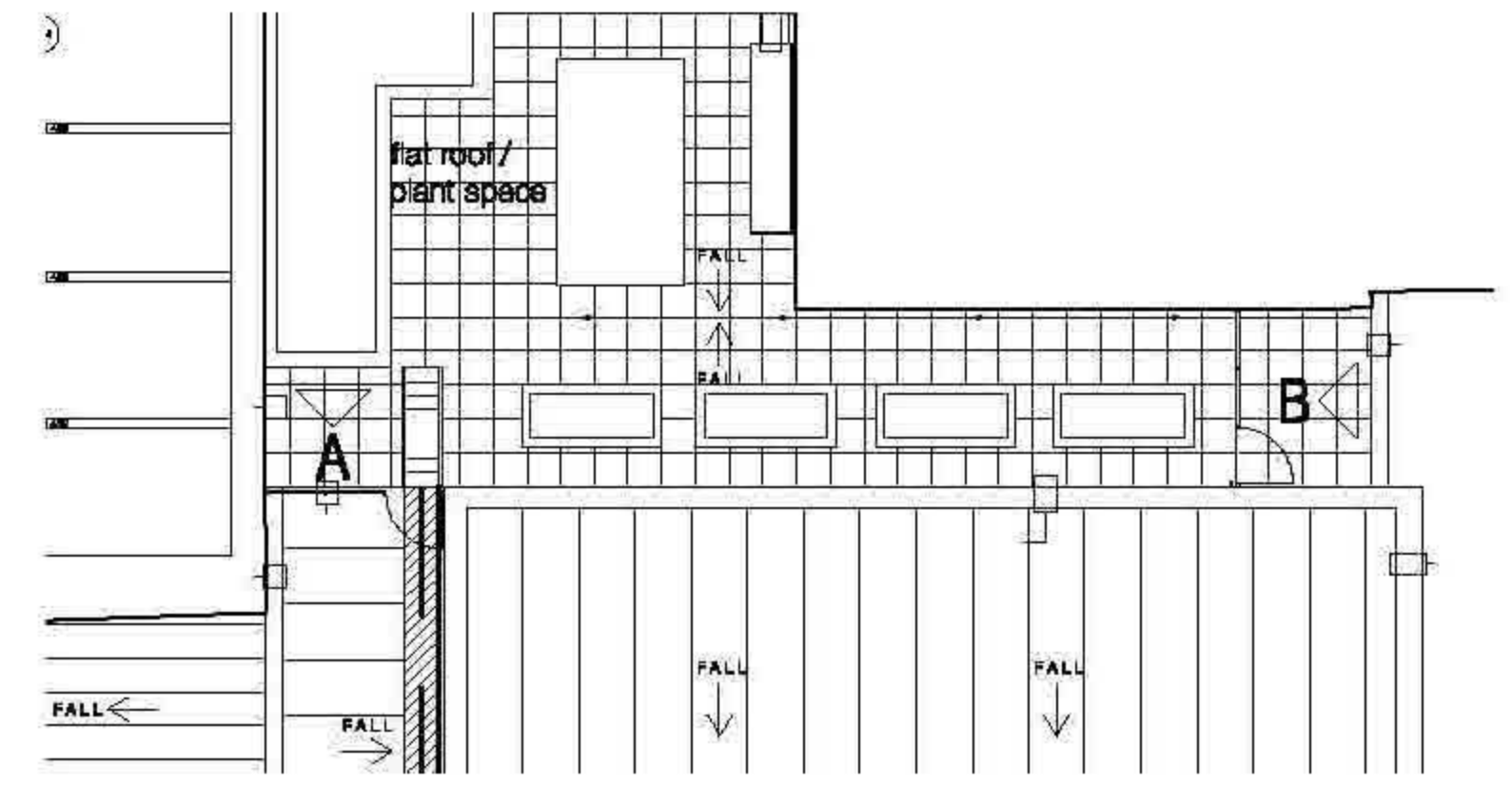
www.oberlander.com



ELEVATION A



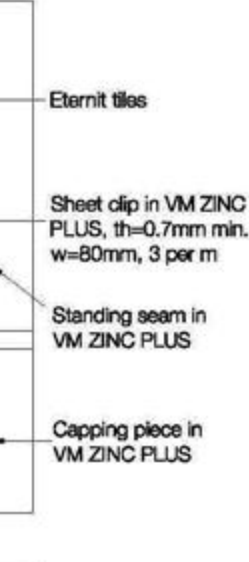
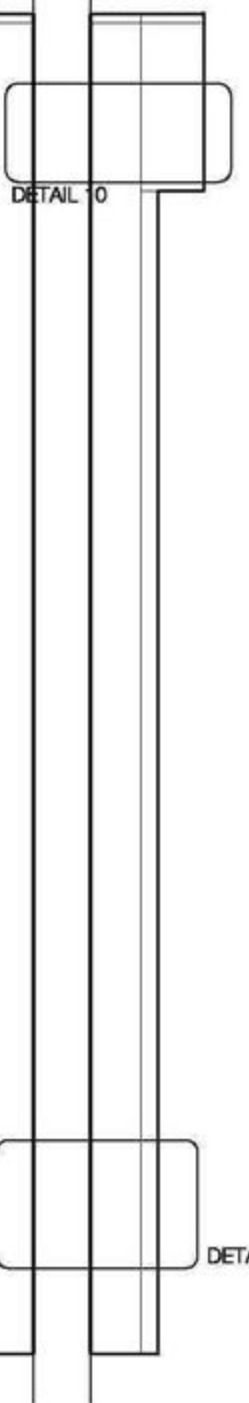
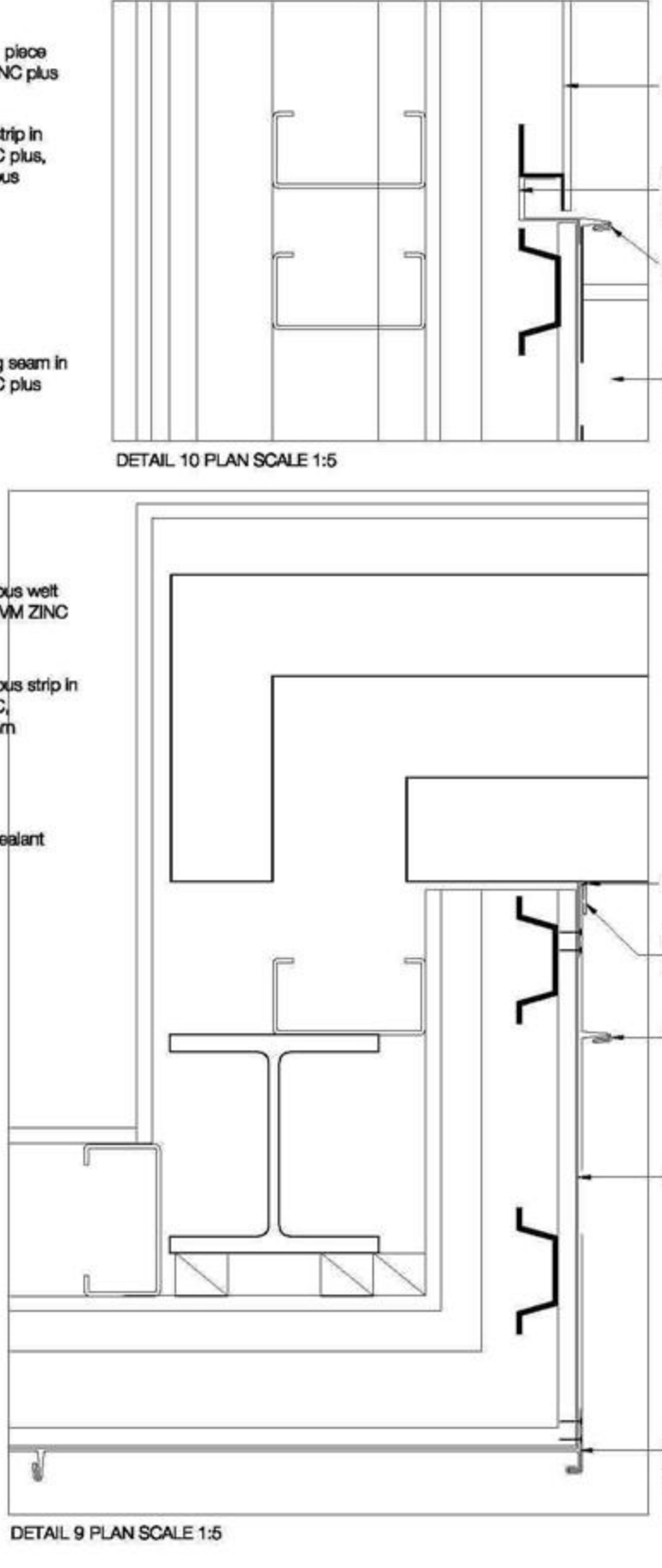
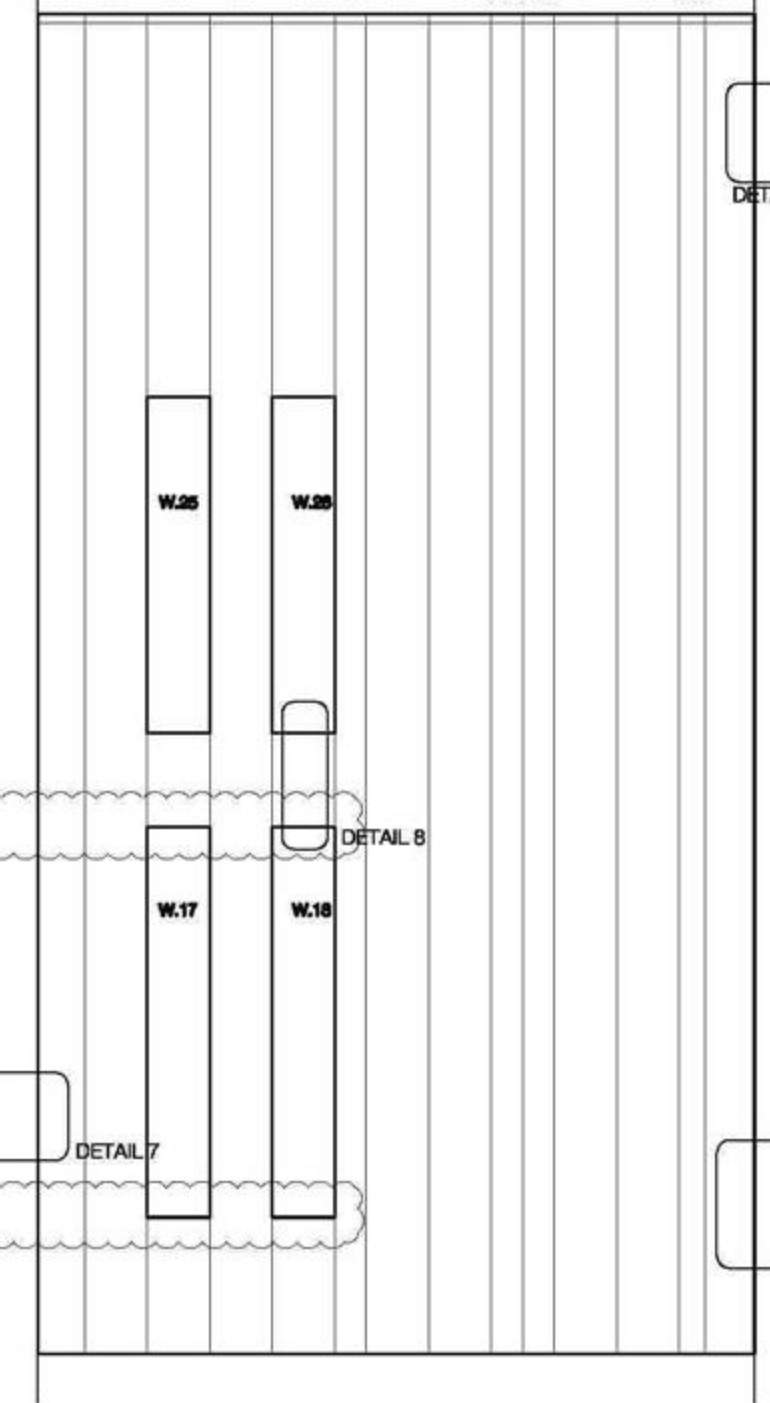
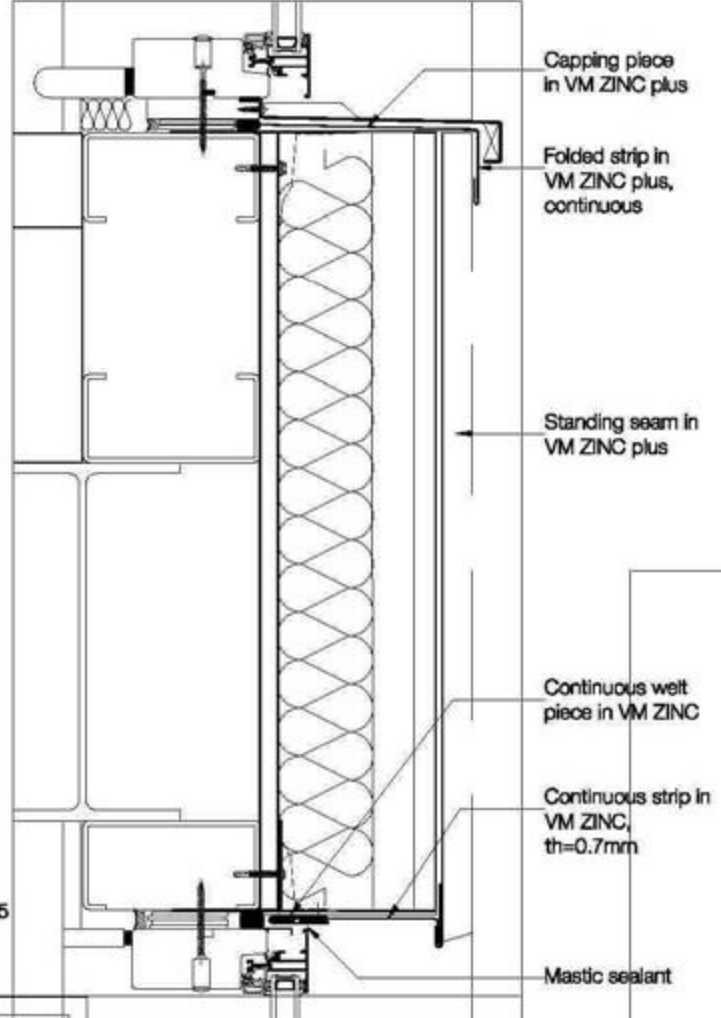
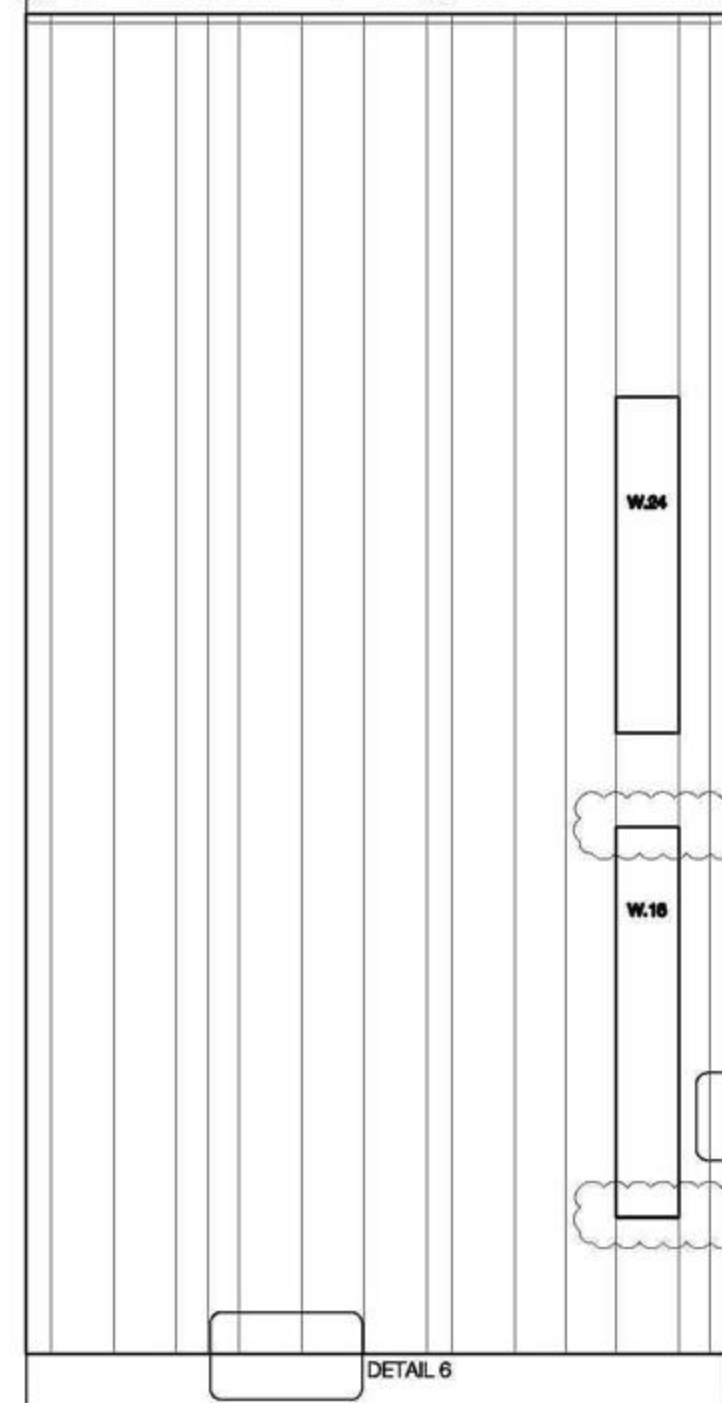
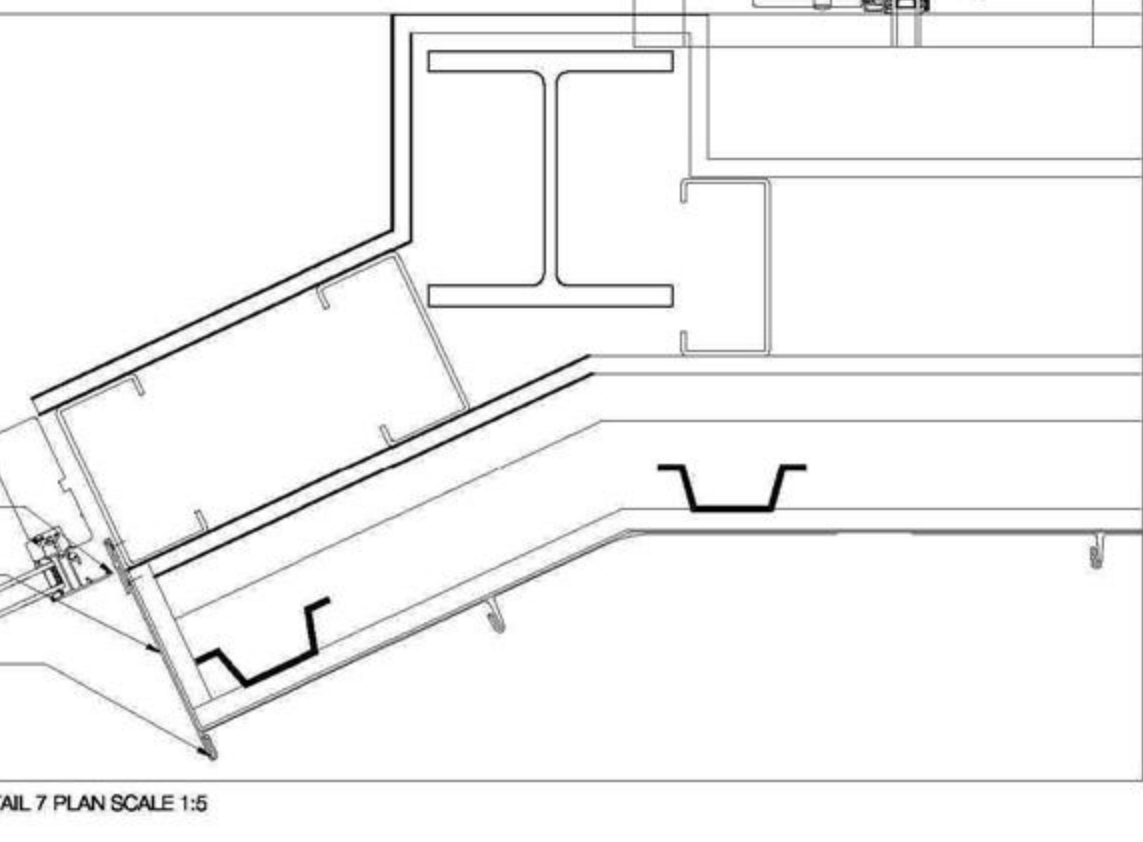
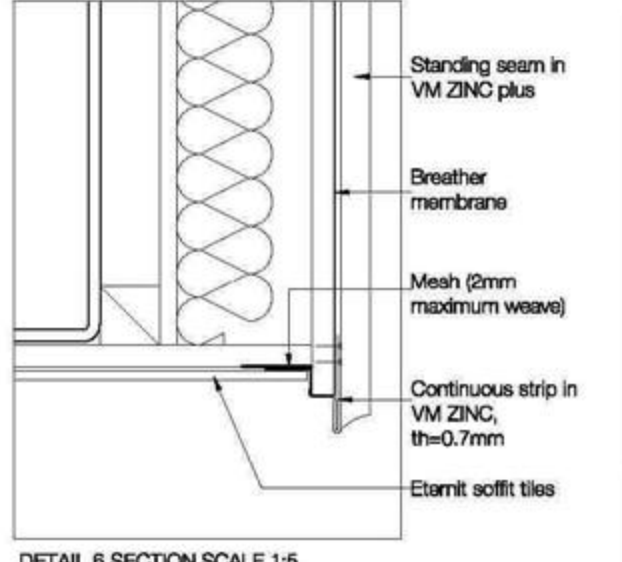
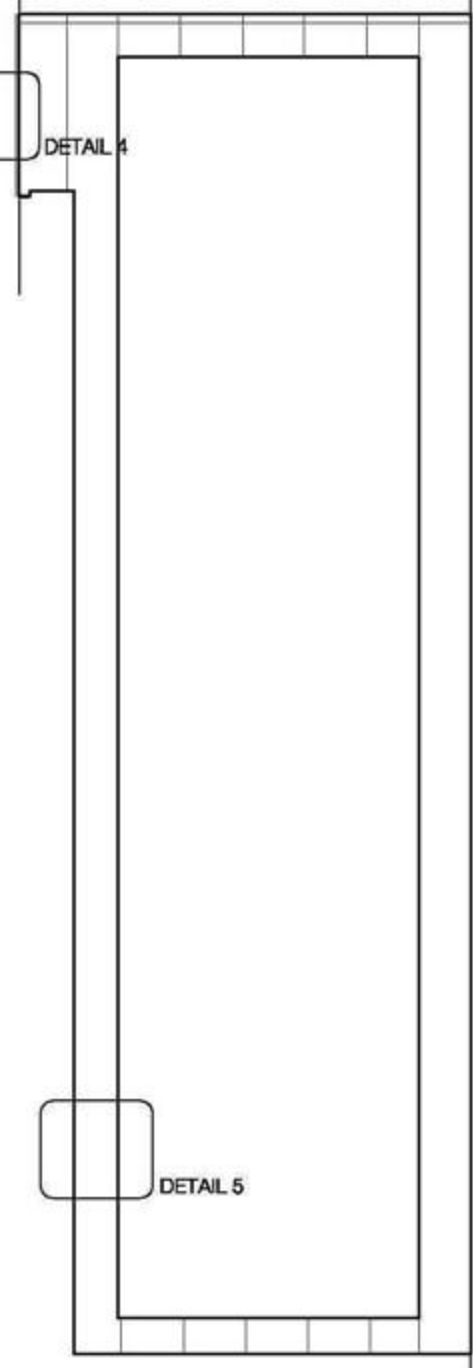
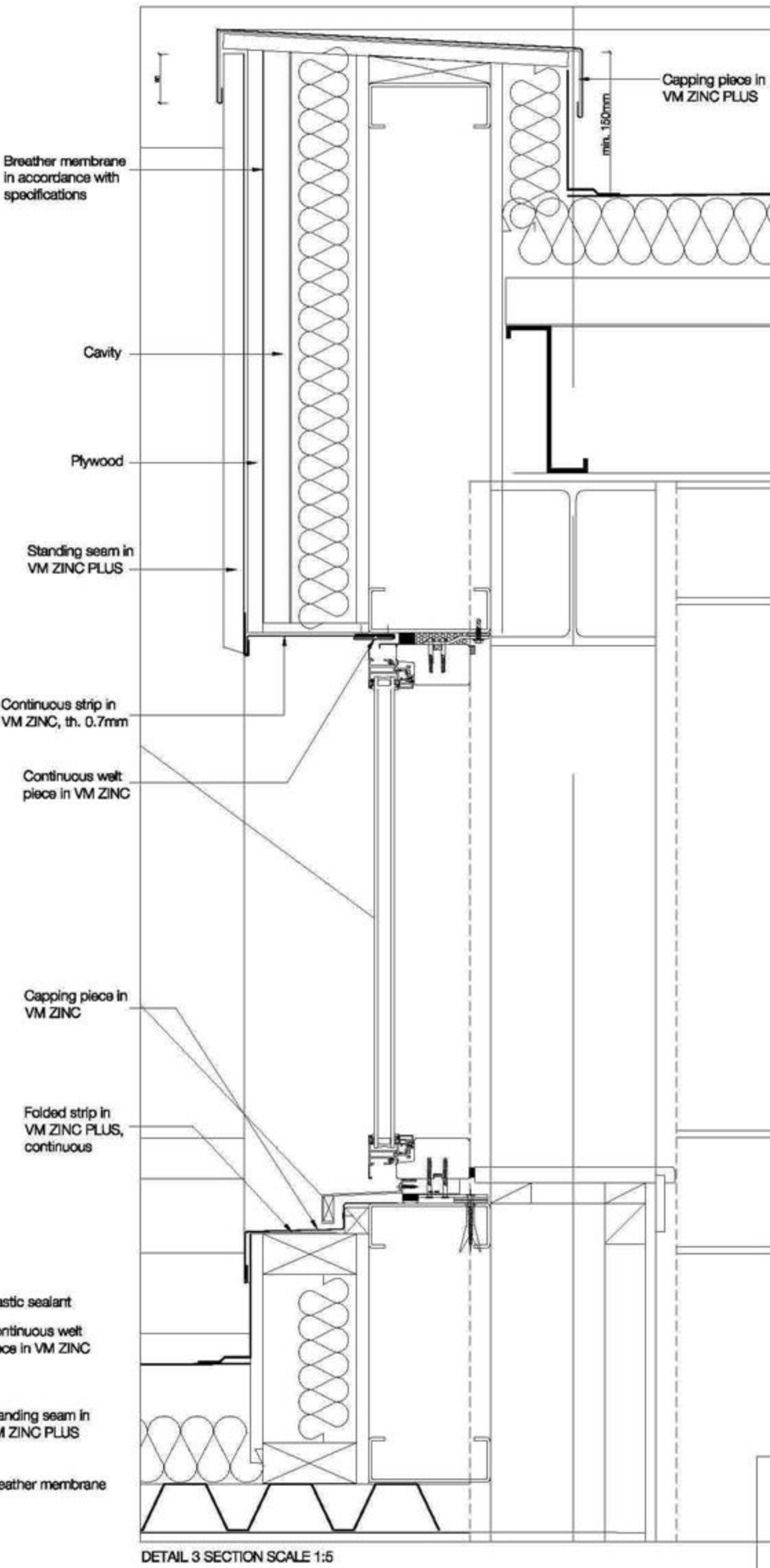
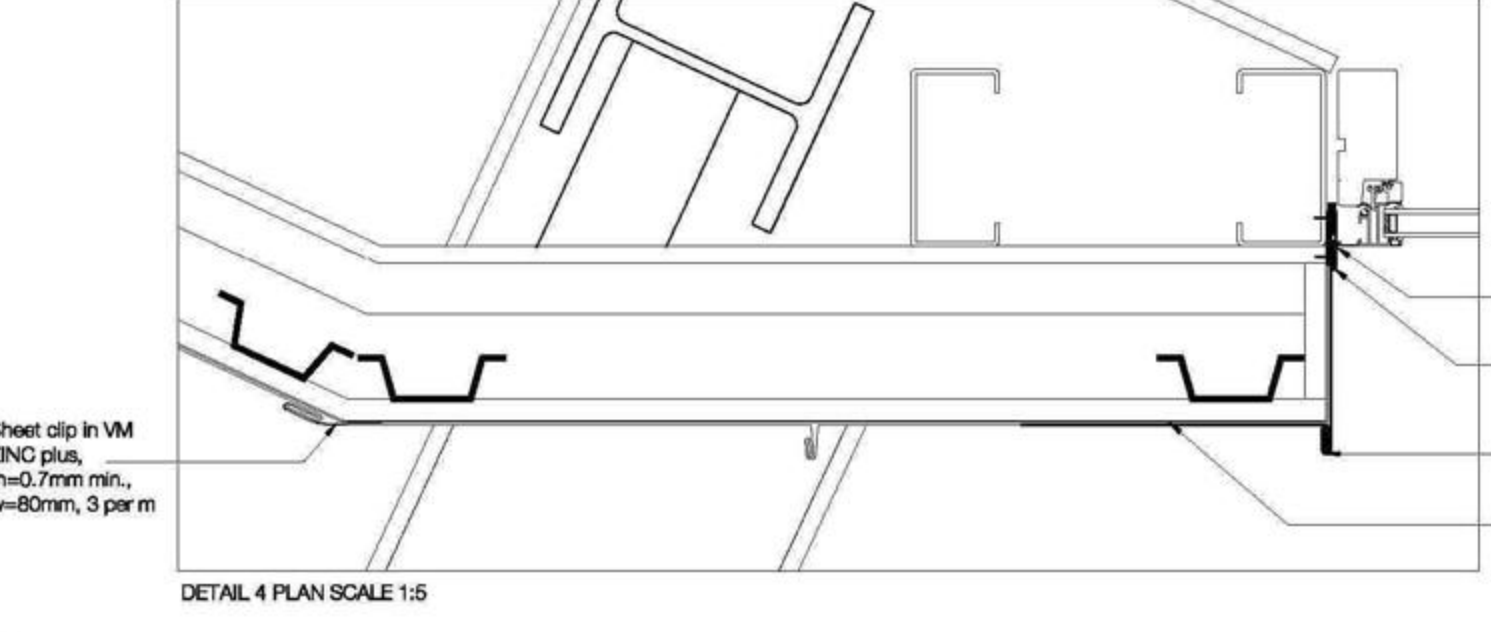
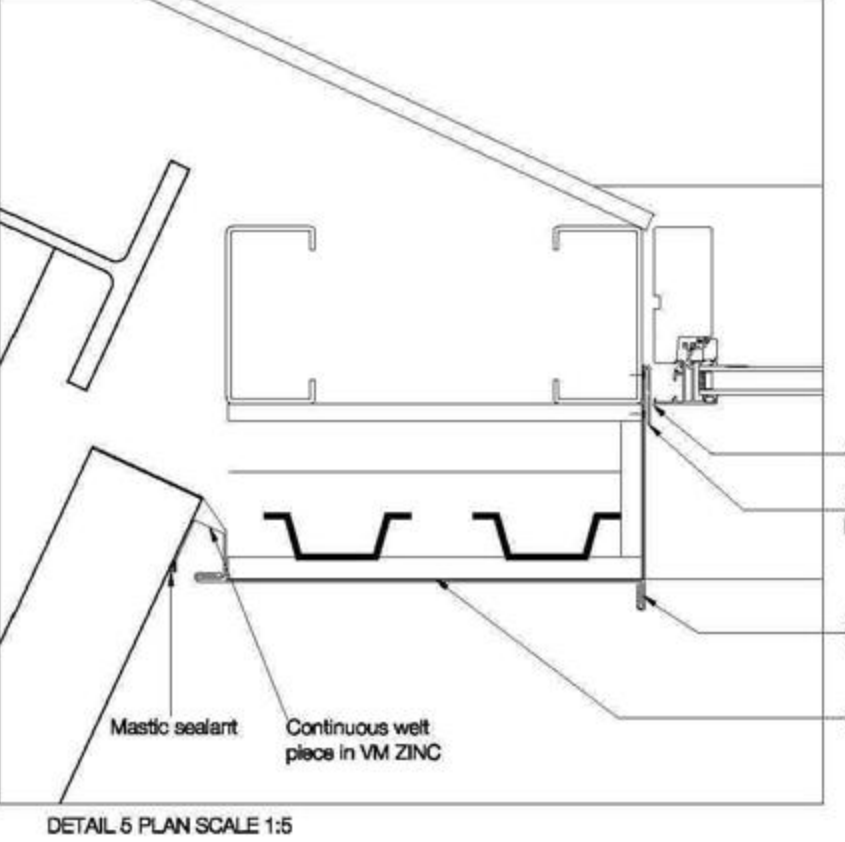
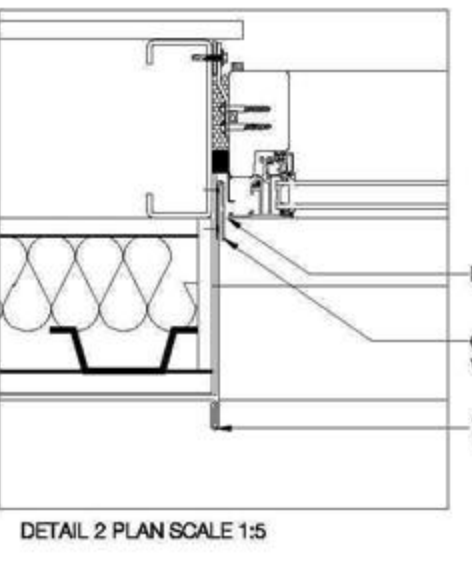
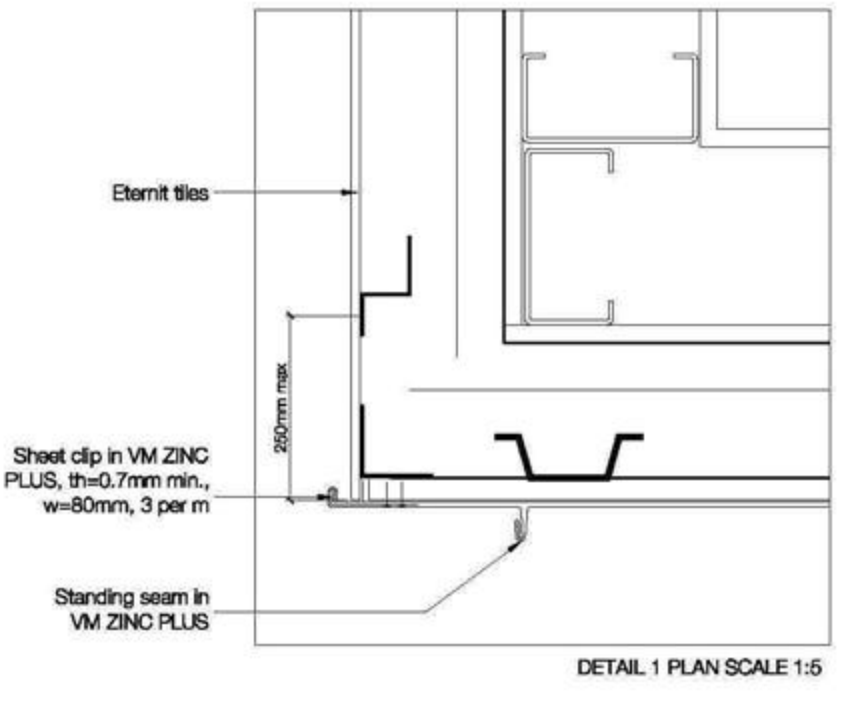
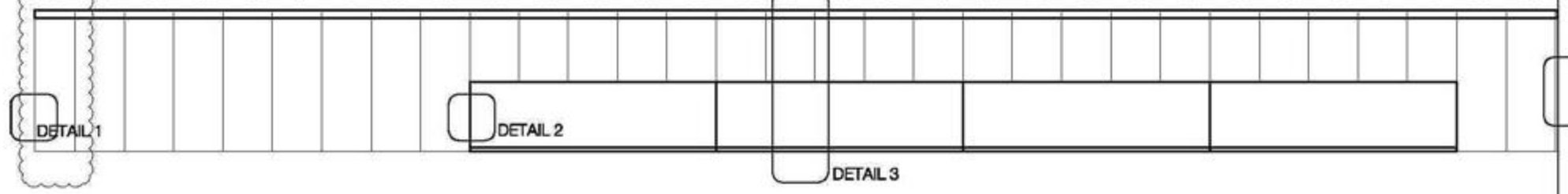
ELEVATION B



LOCATION PLAN
scale 1:200

Project Name	Project no. - Drawing no. - Revision
The University of Edinburgh Centre for Sport & Exercise 46 Pleasance, Edinburgh	1557-(2-) 03
Title	Status
Louvred Screen Roof Top Around Plant Areas	Billing
Drawn By GK	Oberlanders Architects LLP 16 Melville Street Edinburgh EH3 7NS T 0131 225 9070 F 0131 220 3783 E mail@oberlanders.co.uk www.oberlanders.co.uk
Drawn Date 07/01/2009	
Scale (A)	
1:20	





A1 Scale - A3 Scale		A1 Scale - A3 Scale	
1:1	1:2	1:5	1:10
1:10	1:20	1:25	1:50
1:50	1:100	1:100	1:200
1:250	1:500		

REV	DATE	AMENDMENT
A	06.01.09	- zinc panel size changed - W16, W17, W18 opening sizes changed

KEY TO ZINC PANELS CONFIGURATION

- A - width = 530mm
- A/2 - width = 265mm
- B - width = 430mm
- B/2 - width = 215mm

oberlanders

Project Name
The University of Edinburgh
Centre for Sport & Exercise
46 Pleasance, Edinburgh

Title
ZINC CLADDING ELEVATION

Status
Billing

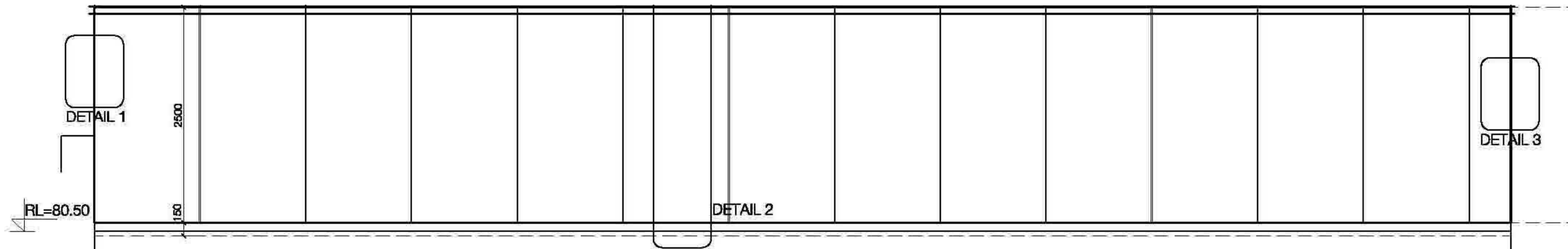
Project no. - Drawing no. - Revision
1557-(2)-01-A

Drawn By
JS

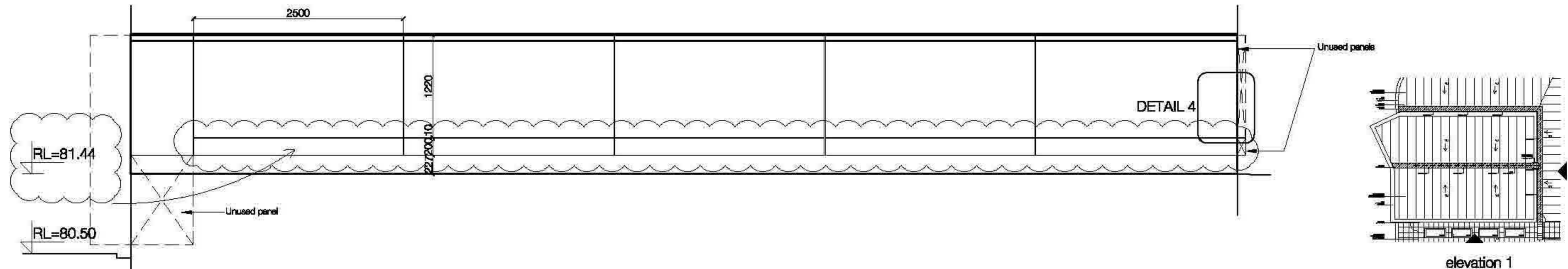
Check Date
03/12/2008

Scale (s) @ A1
1:50

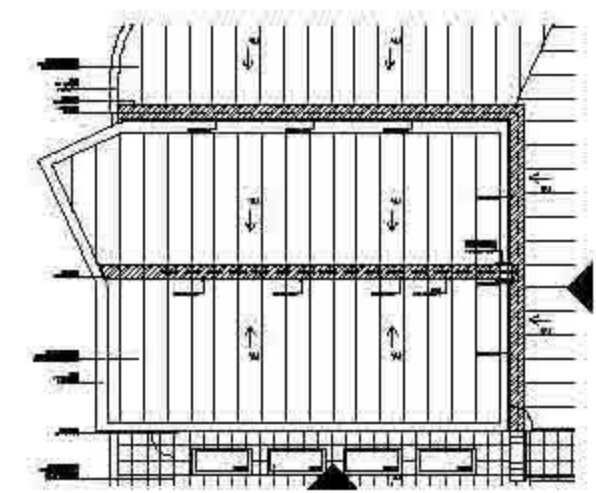
Oberlanders Architects LLP
16 Melville Street Edinburgh EH3 7NS
T 0131 226 9070
F 0131 220 3783
E mail@oberlanders.co.uk
www.oberlanders.co.uk



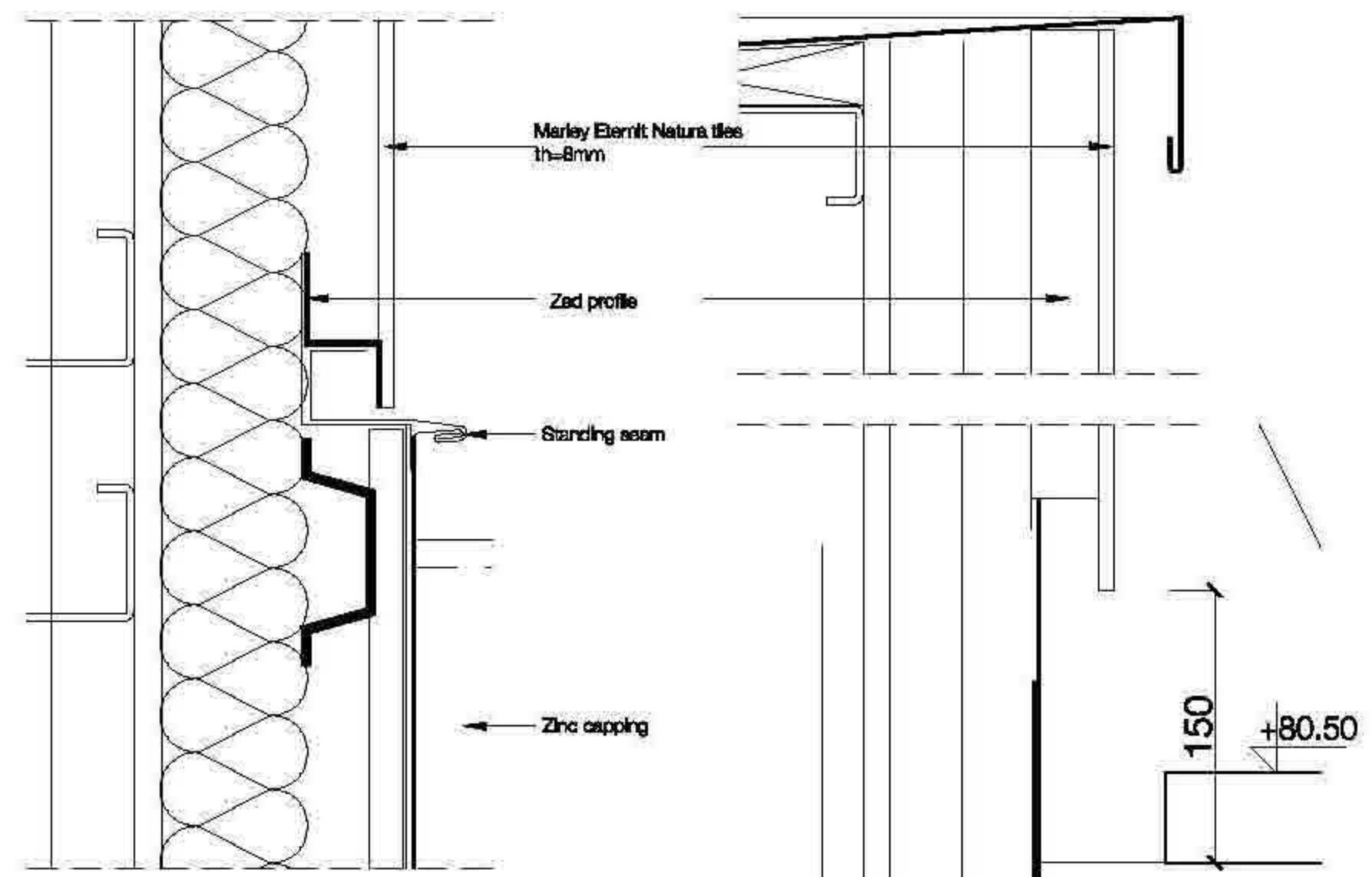
ELEVATION 1 SCALE 1:50



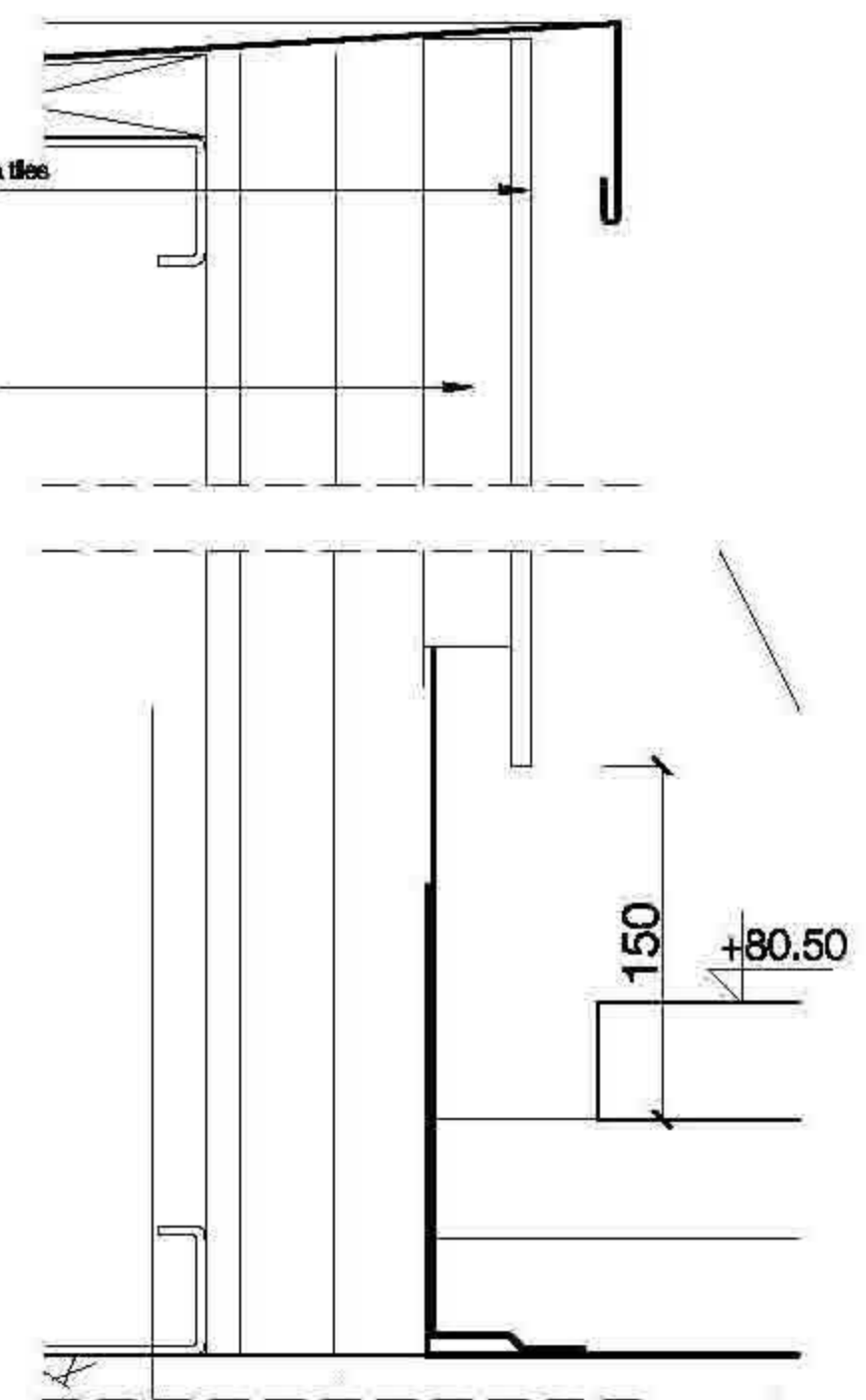
ELEVATION 2 SCALE 1:50



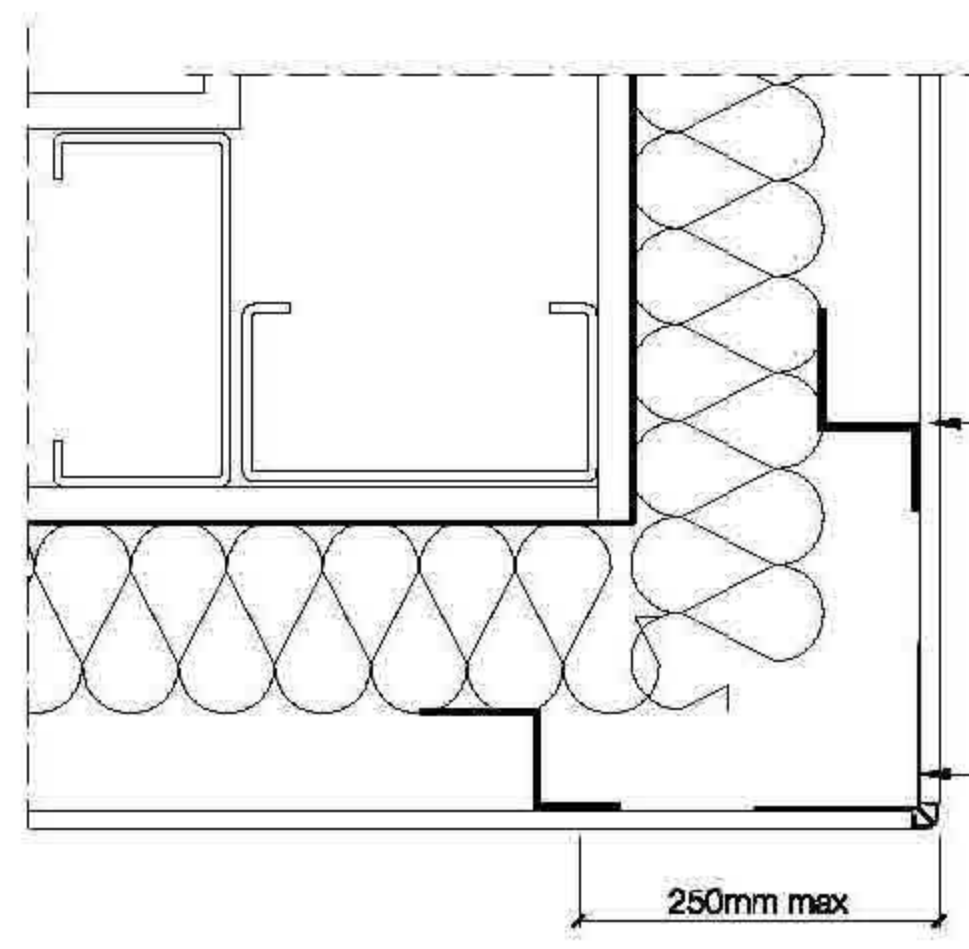
LOCATION PLAN SCALE 1:500



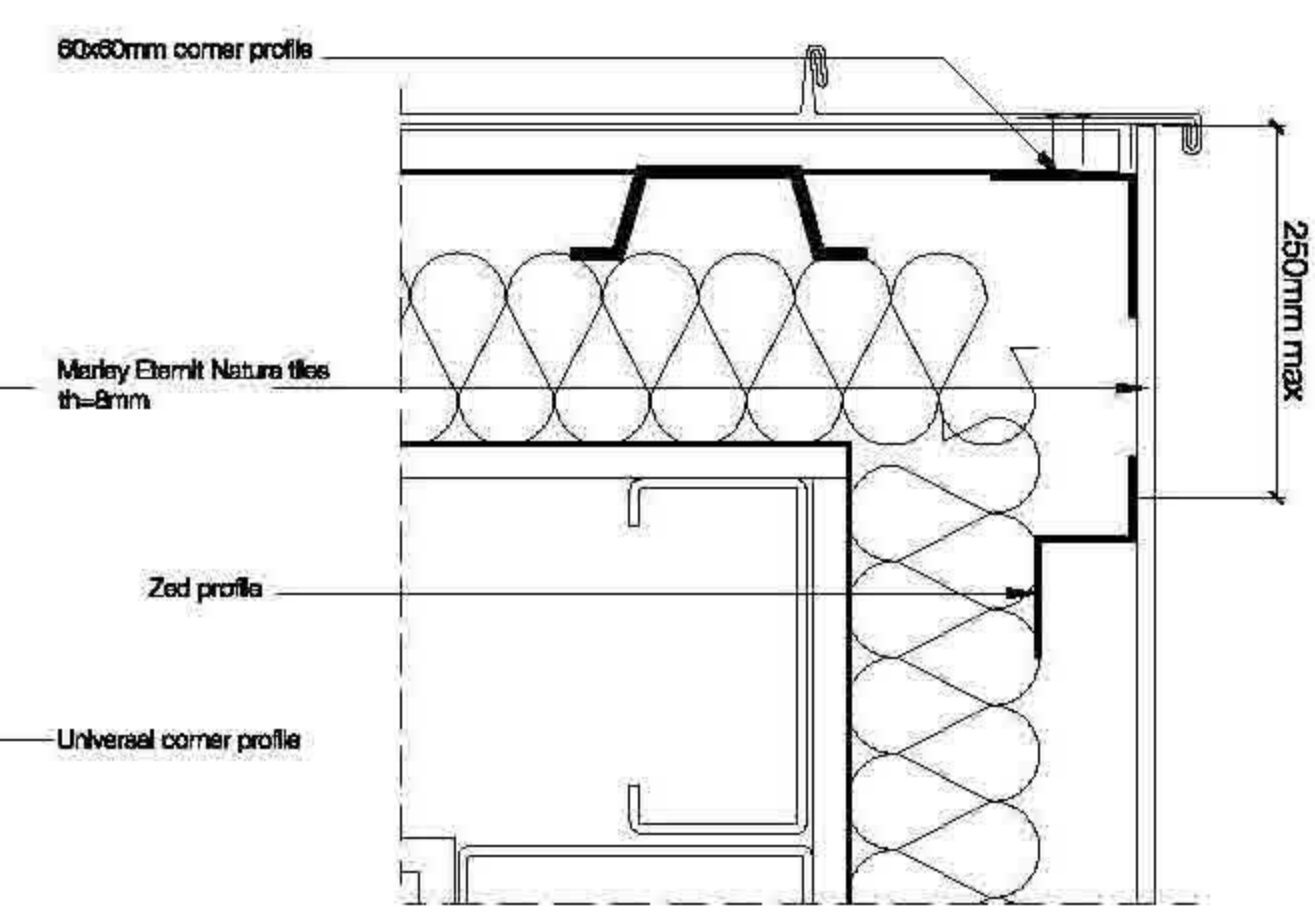
DETAIL 1 PLAN SCALE 1:5



DETAIL 2 SECTION SCALE 1:5



DETAIL 3 PLAN SCALE 1:5



DETAIL 4 PLAN SCALE 1:5

REV	DATE	AMENDMENT
A	08.01.08	- eternit panels sizes changed - level updated

Project Name
**The University of Edinburgh
 Centre for Sport & Exercise
 46 Pleasance, Edinburgh**

Title
**ETERNIT CLADDING ELEVATION
 DETAILS**

Project no. - Drawing no. - Revision
1557-(2-)02-A

Status
Billing

Drawn By
JS

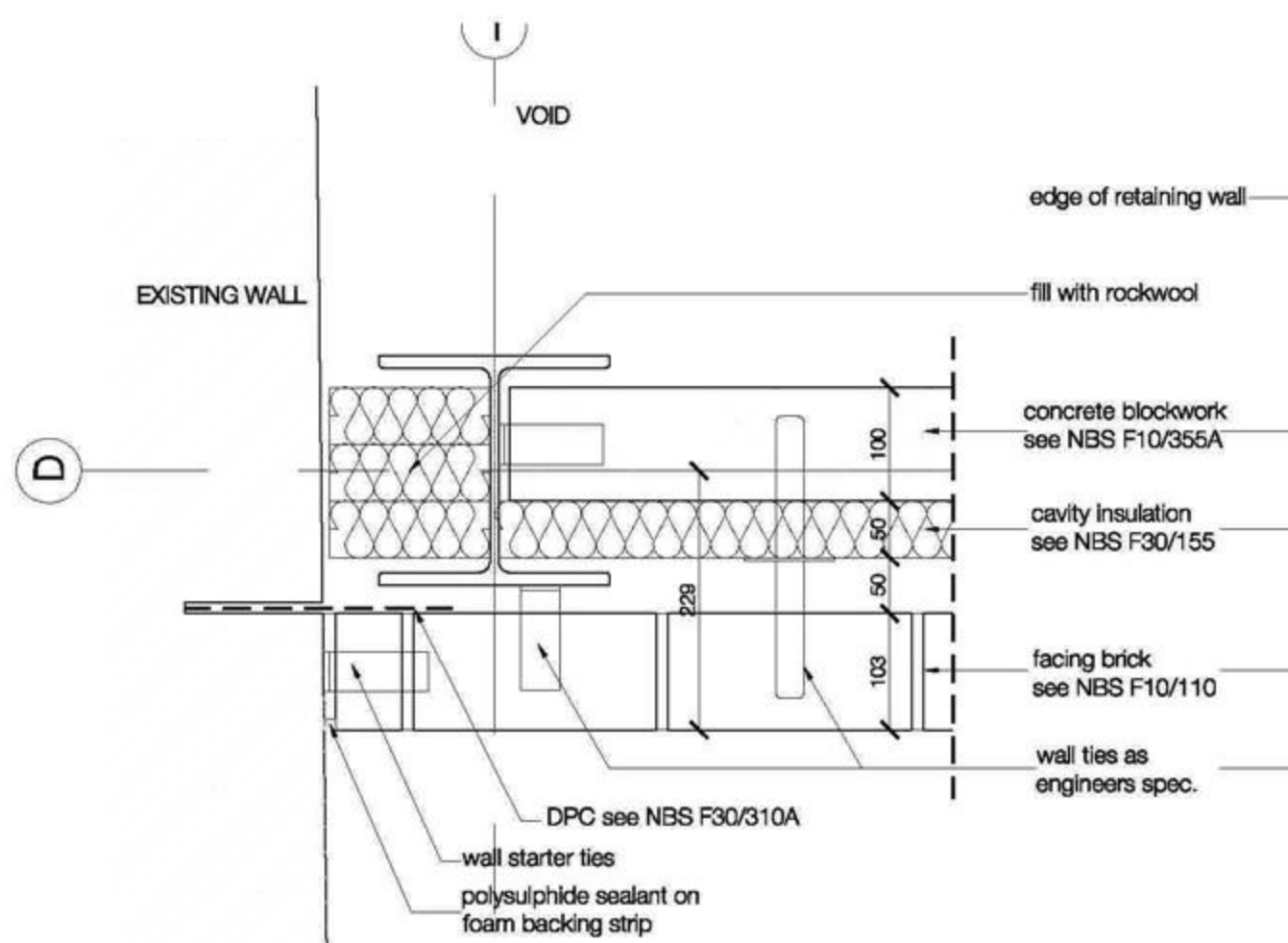
Drawn Date
11/12/2008

Scale (s)
Varies

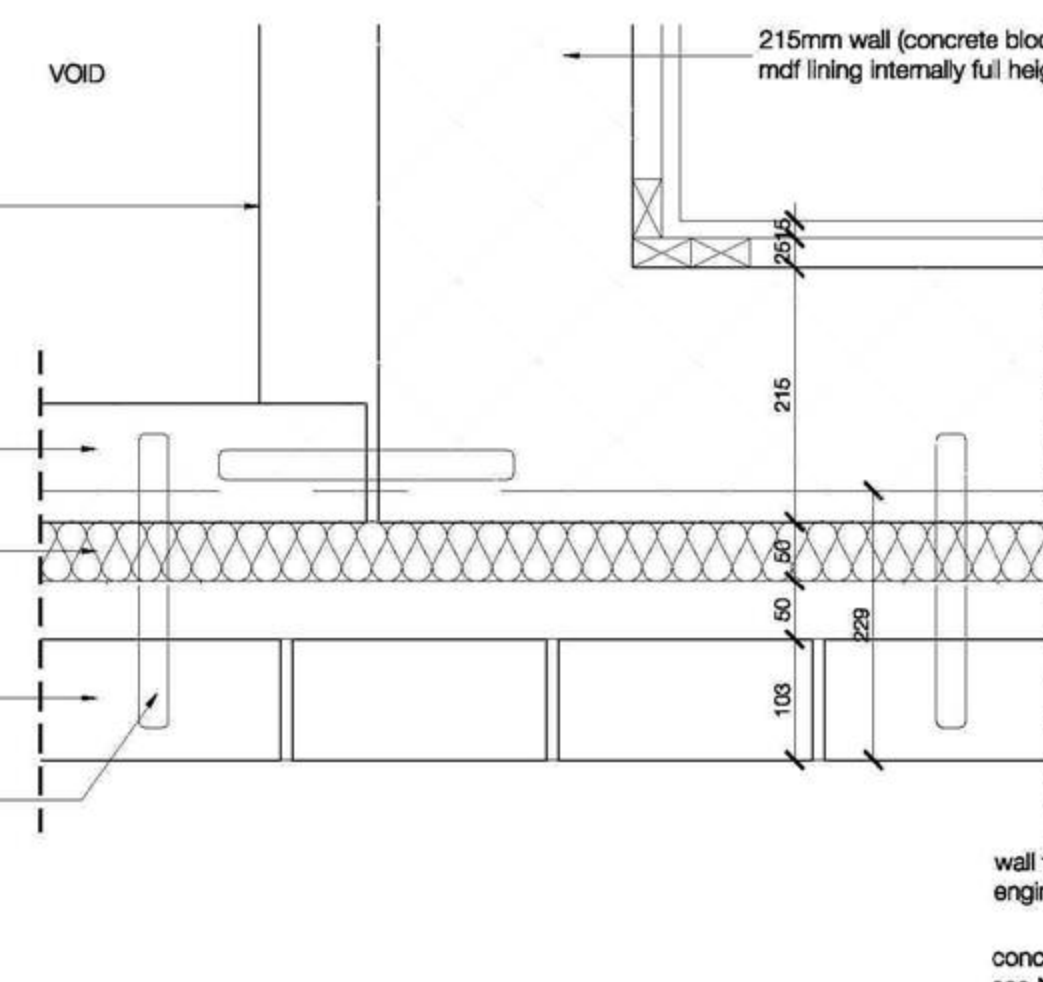
Oberlanders Architects LLP
 16 Melville Street Edinburgh EH3 7NS
 T 0131 225 8070
 F 0131 220 3783
 E mail@oberlanders.co.uk
 www.oberlanders.co.uk



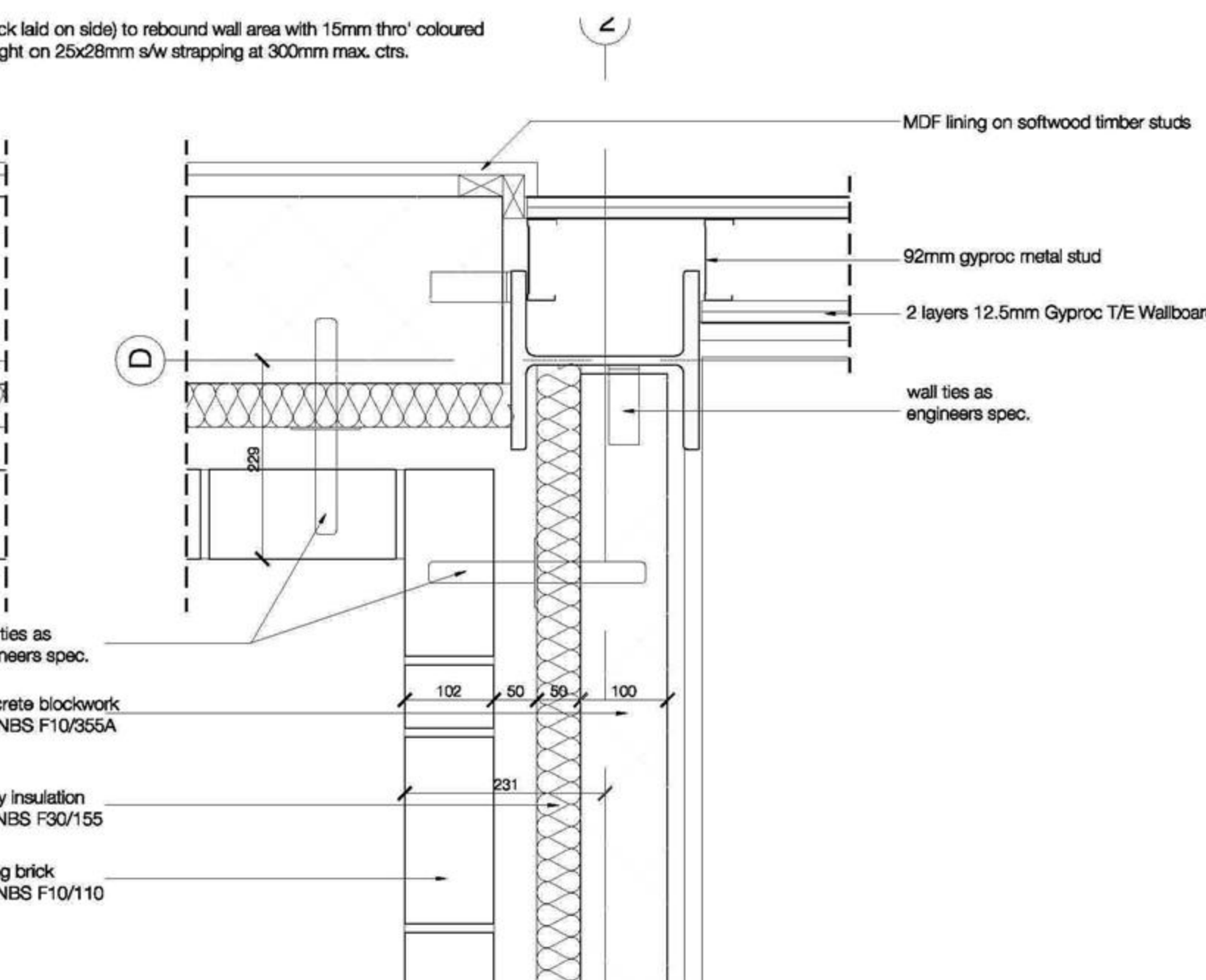
A1 Scale - A3 Scale		A1 Scale - A3 Scale	
1:1	1:2	1:5	1:10
1:10	1:20	1:25	1:50
1:50	1:100	1:100	1:200
1:250	1:500		
REV	DATE	AMENDMENT	



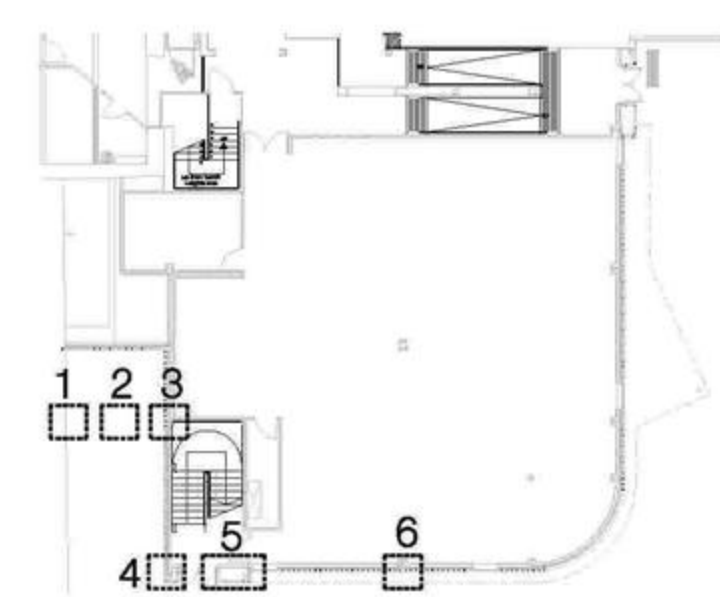
DETAIL 1



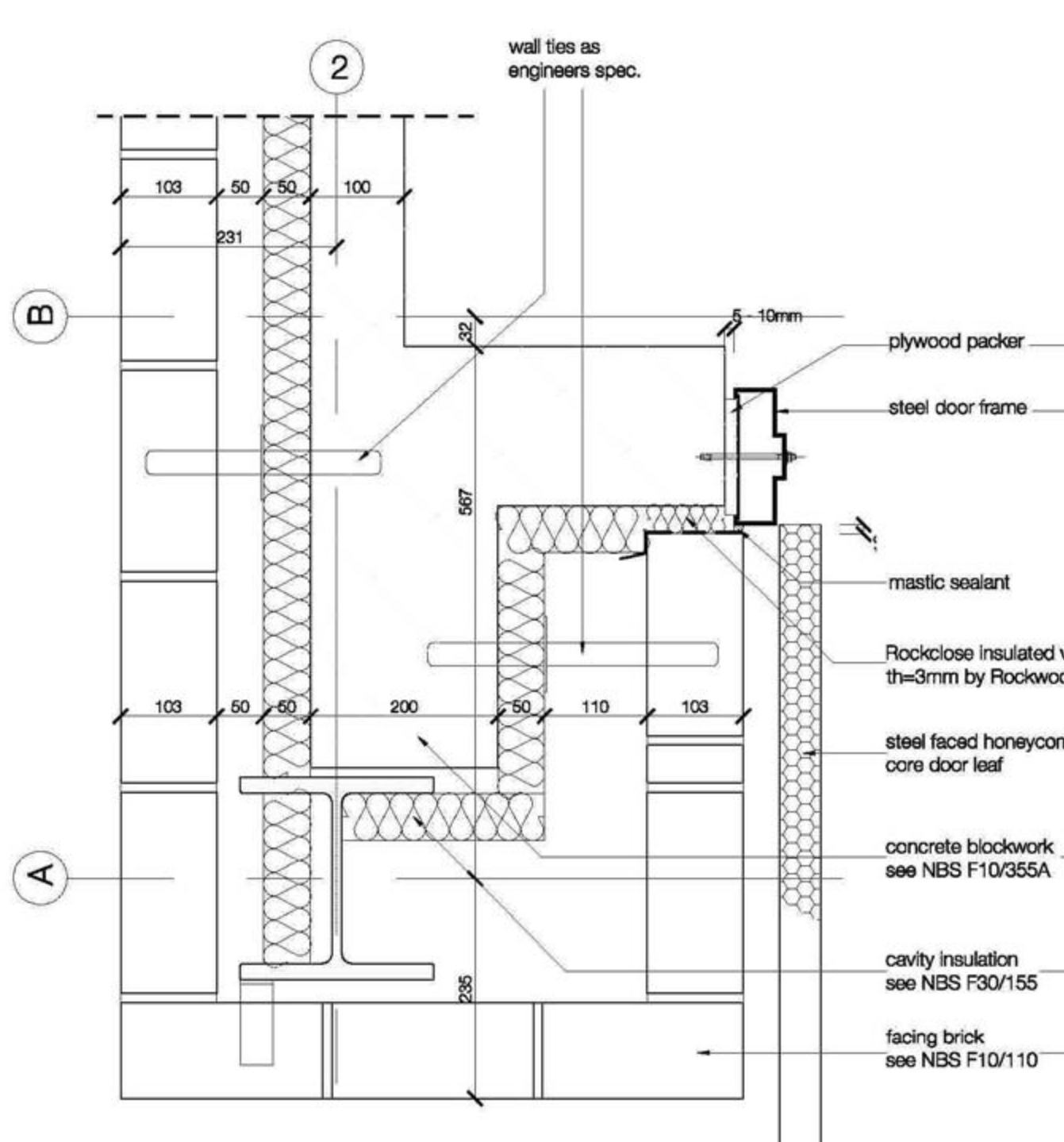
DETAIL 2



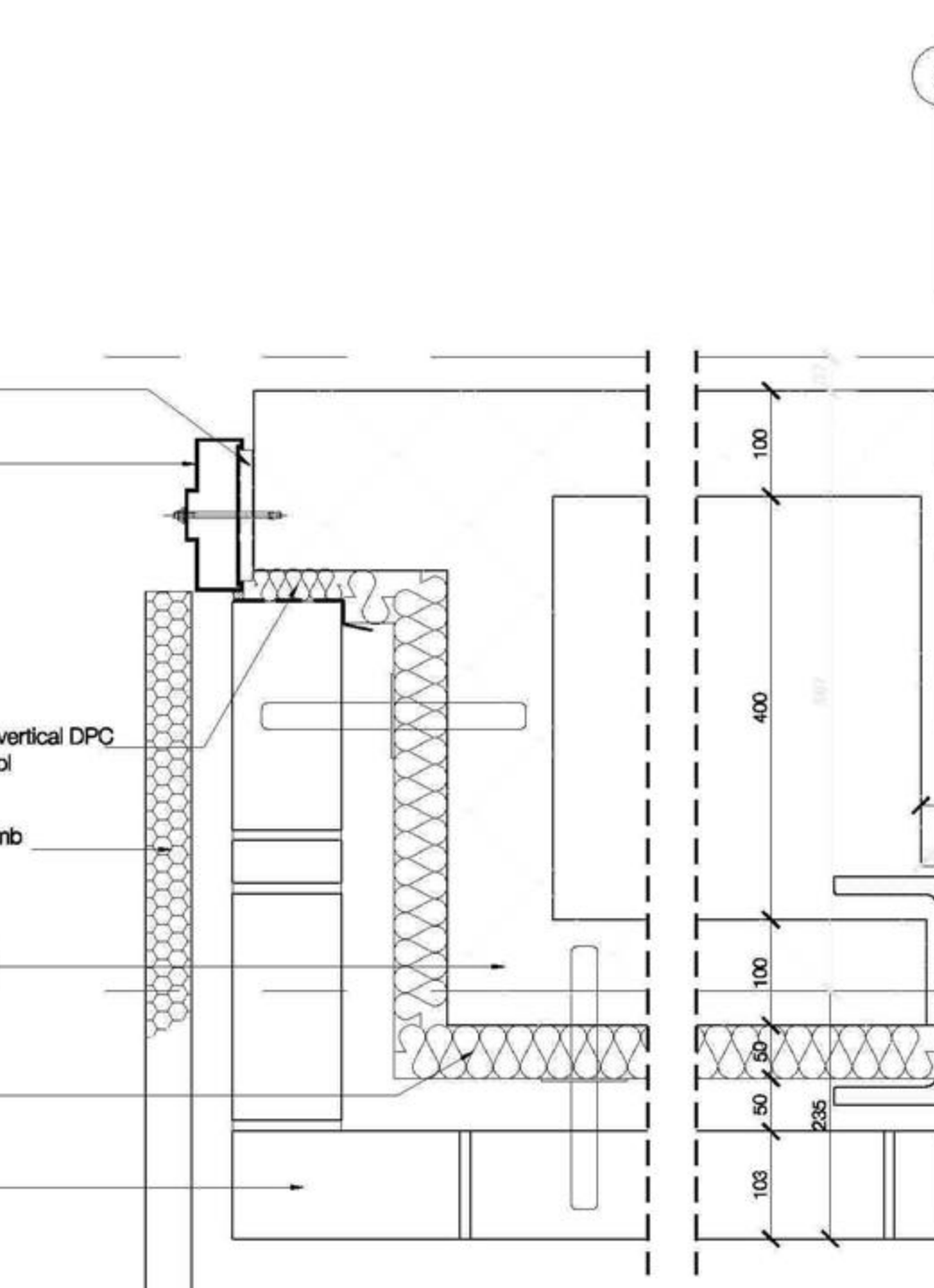
DETAIL 3



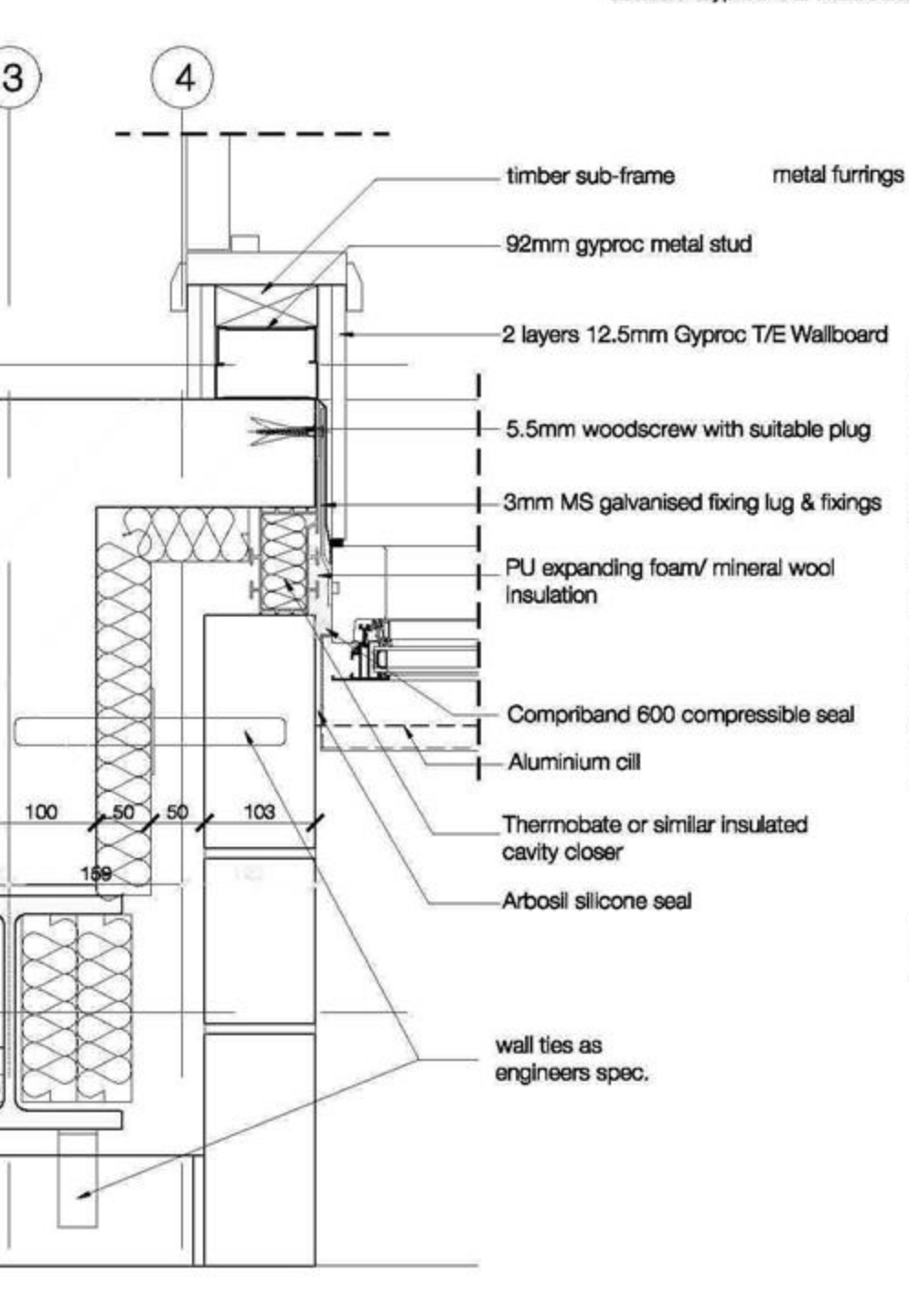
DETAIL LOCATION PLAN 1:250 level +68.30



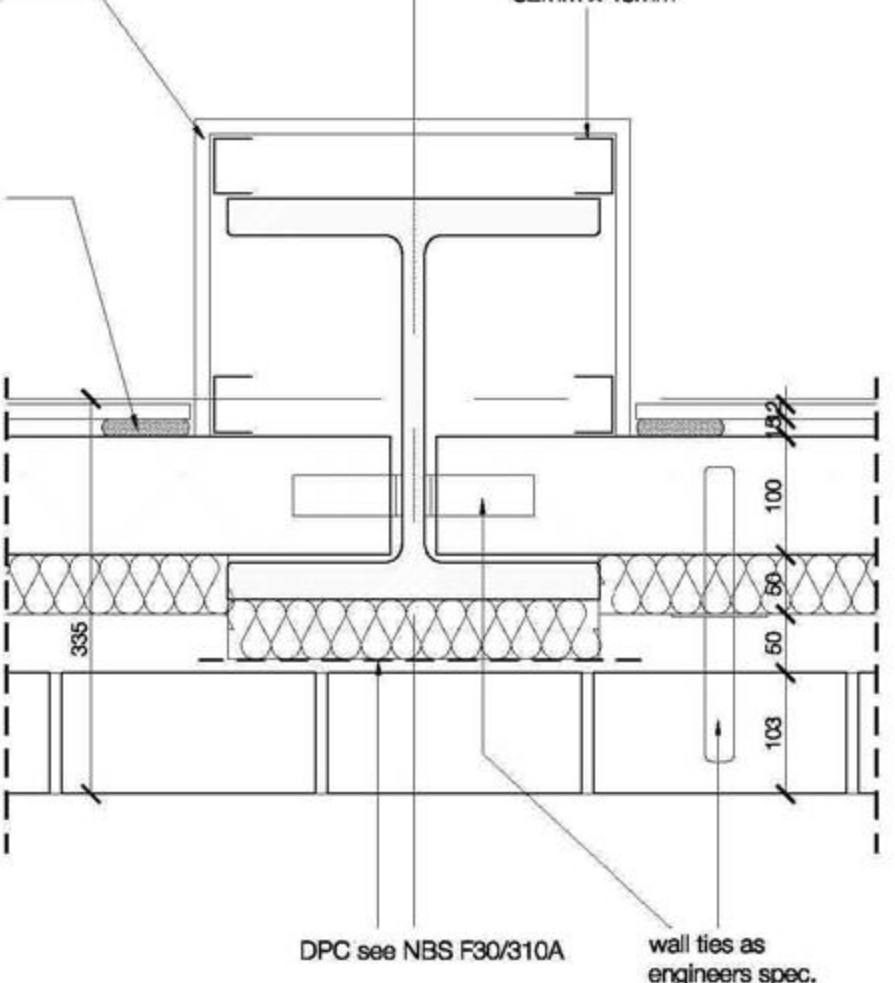
DETAIL 4



DETAIL 5



DETAIL 6



oberlanders

Project Name
The University of Edinburgh
Centre for Sport & Exercise
46 Pleasance, Edinburgh

Title
TYPICAL EXTERNAL WALL
PLAN DETAILS

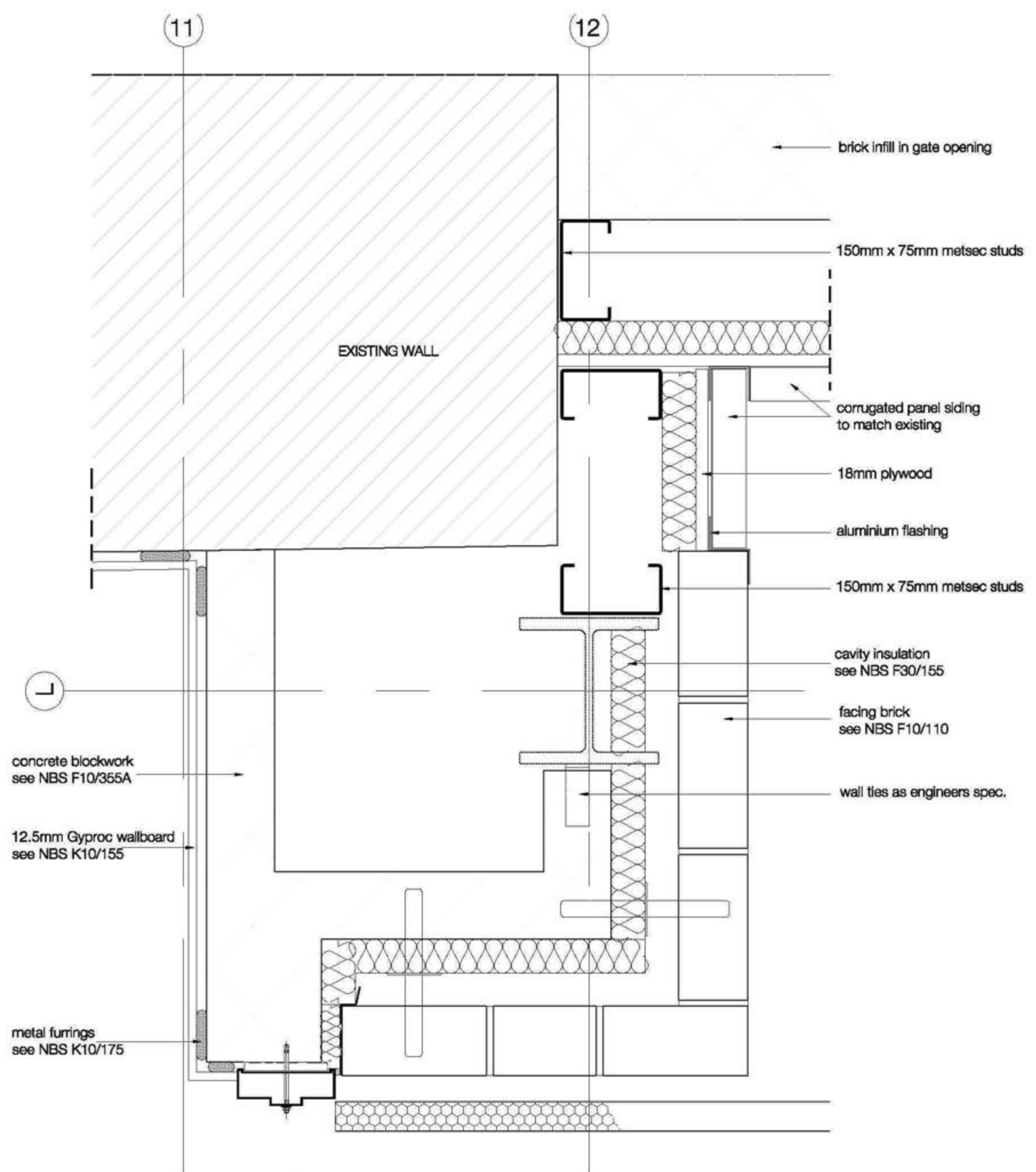
Status
Warrant

Project no. - Drawing no. - Revision
1557-(21)001

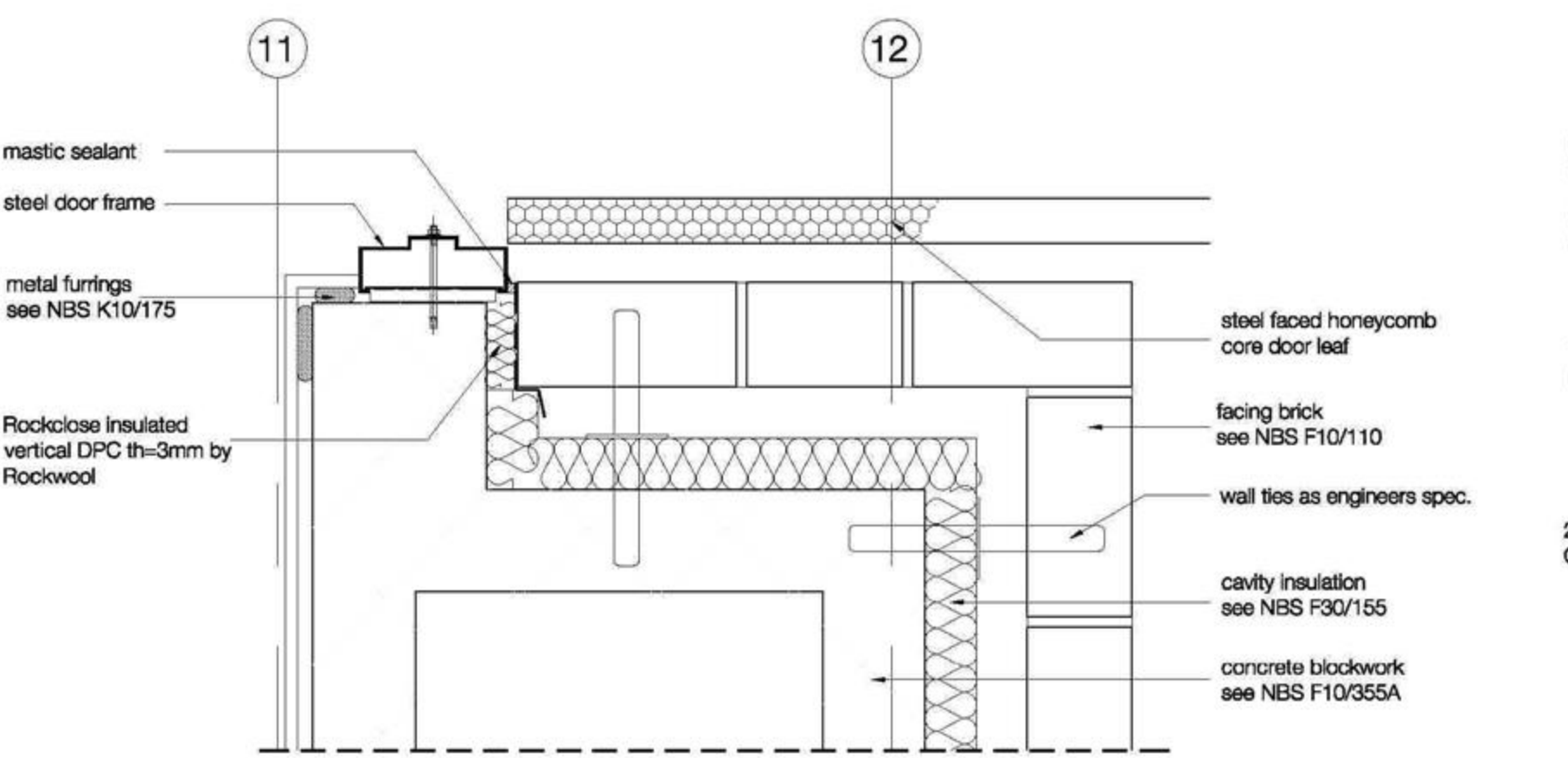
Drawn By
JS Oberlanders Architects LLP
16 Melville Street Edinburgh EH3 7NS
T 0131 226 9070
F 0131 220 3783
E mail@oberlanders.co.uk
www.oberlanders.co.uk

Scale (if A1)
1:5

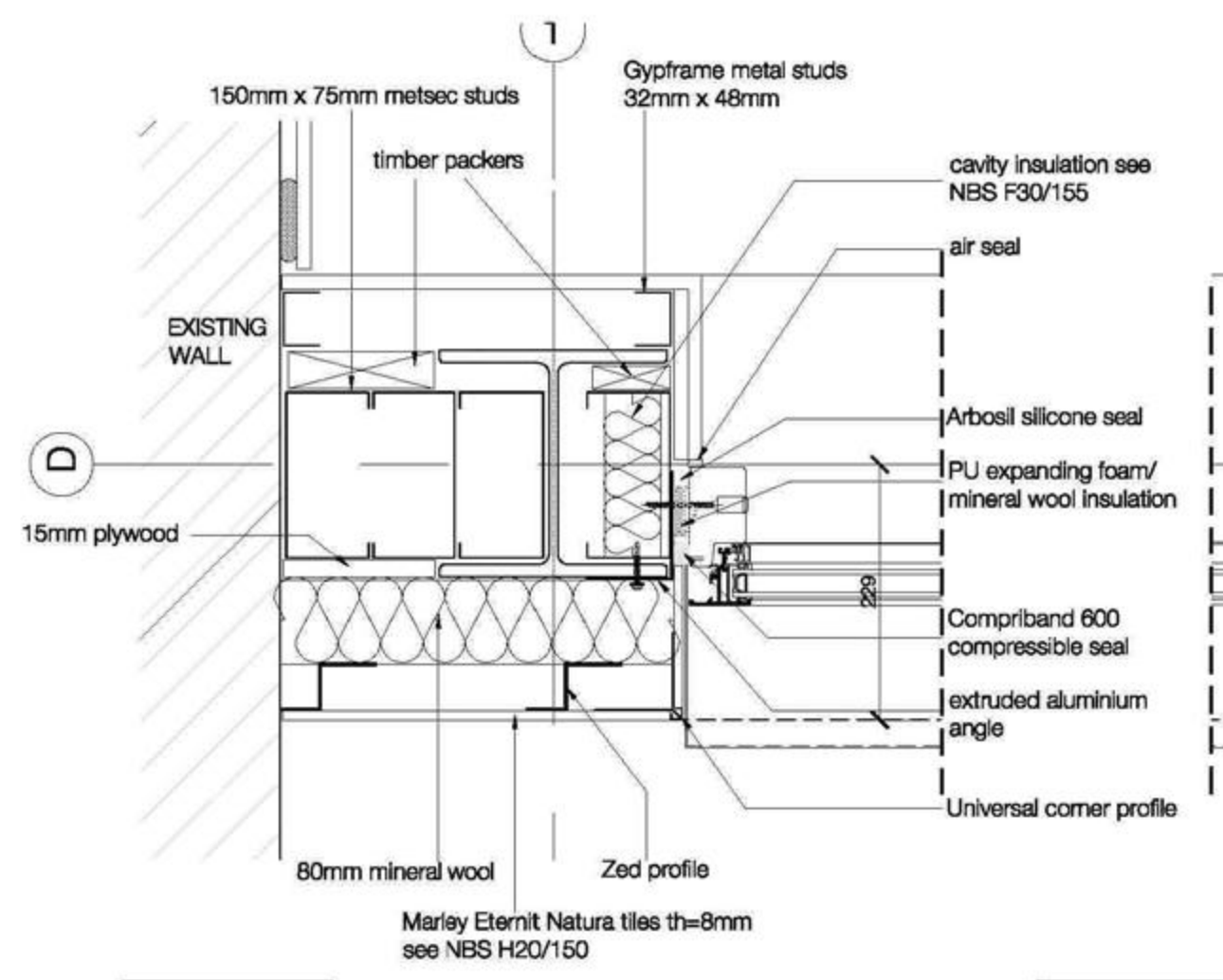
A1 Scale - A3 Scale		A1 Scale - A3 Scale	
1:1	1:2	1:5	1:10
1:10	1:20	1:25	1:50
1:50	1:100	1:100	1:200
1:250	1:500		
REV	DATE	AMENDMENT	



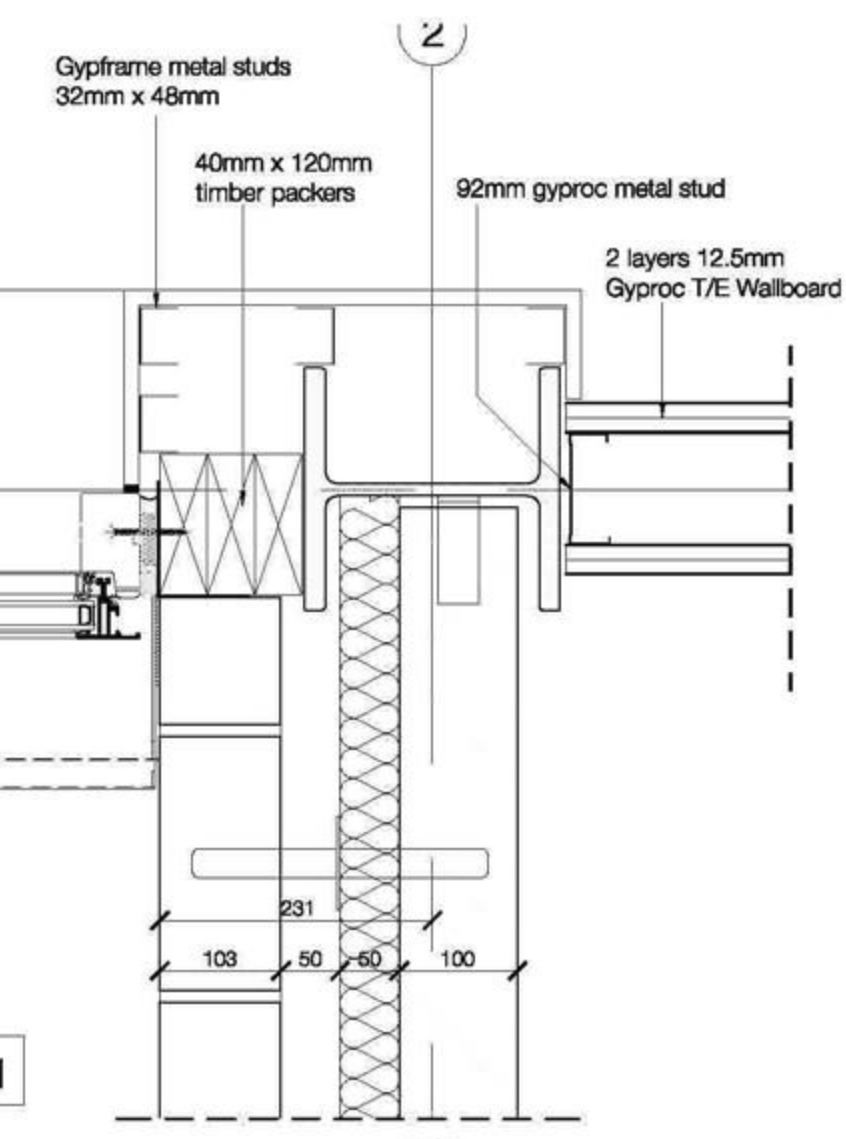
DETAIL 9



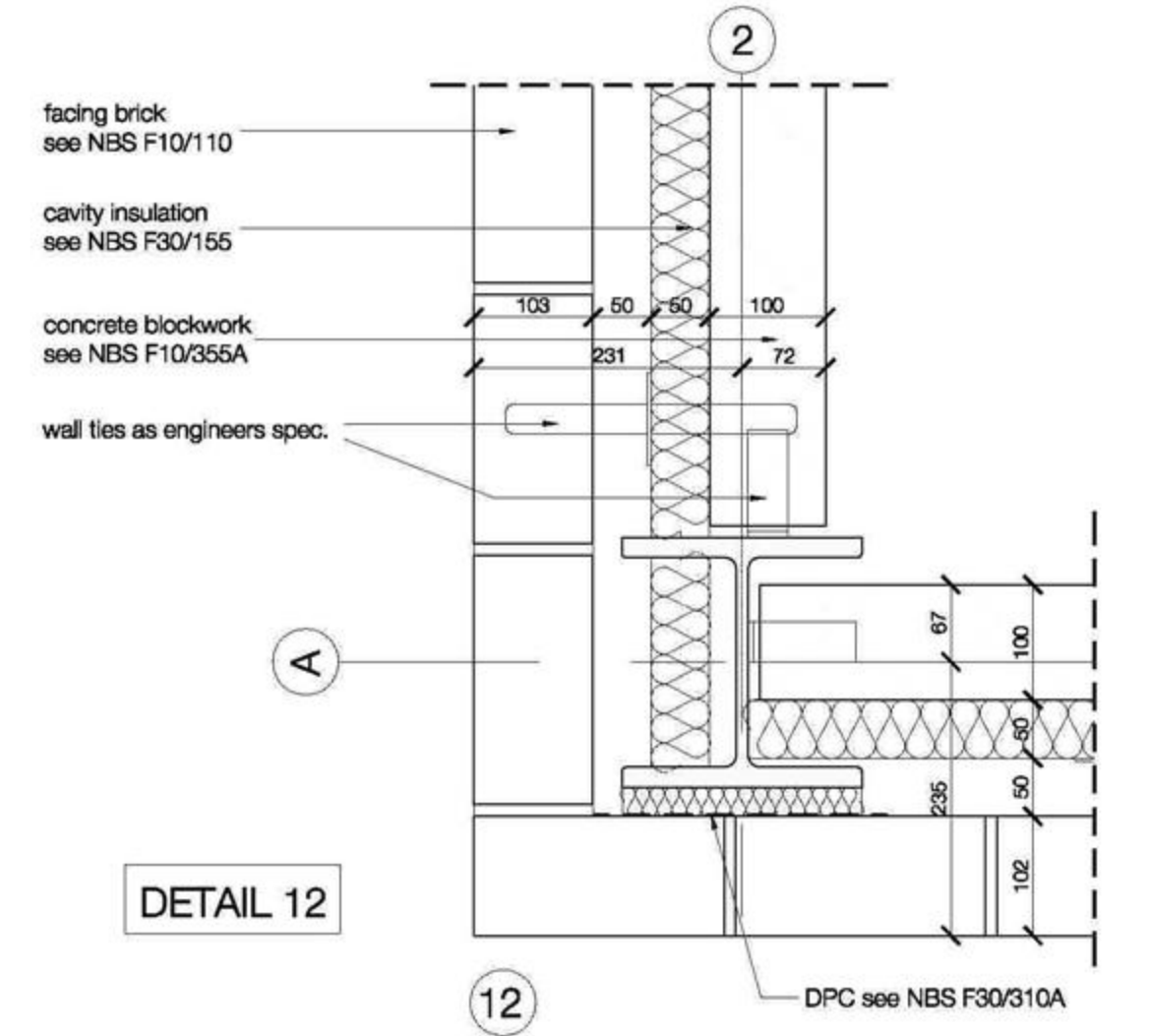
DETAIL 8



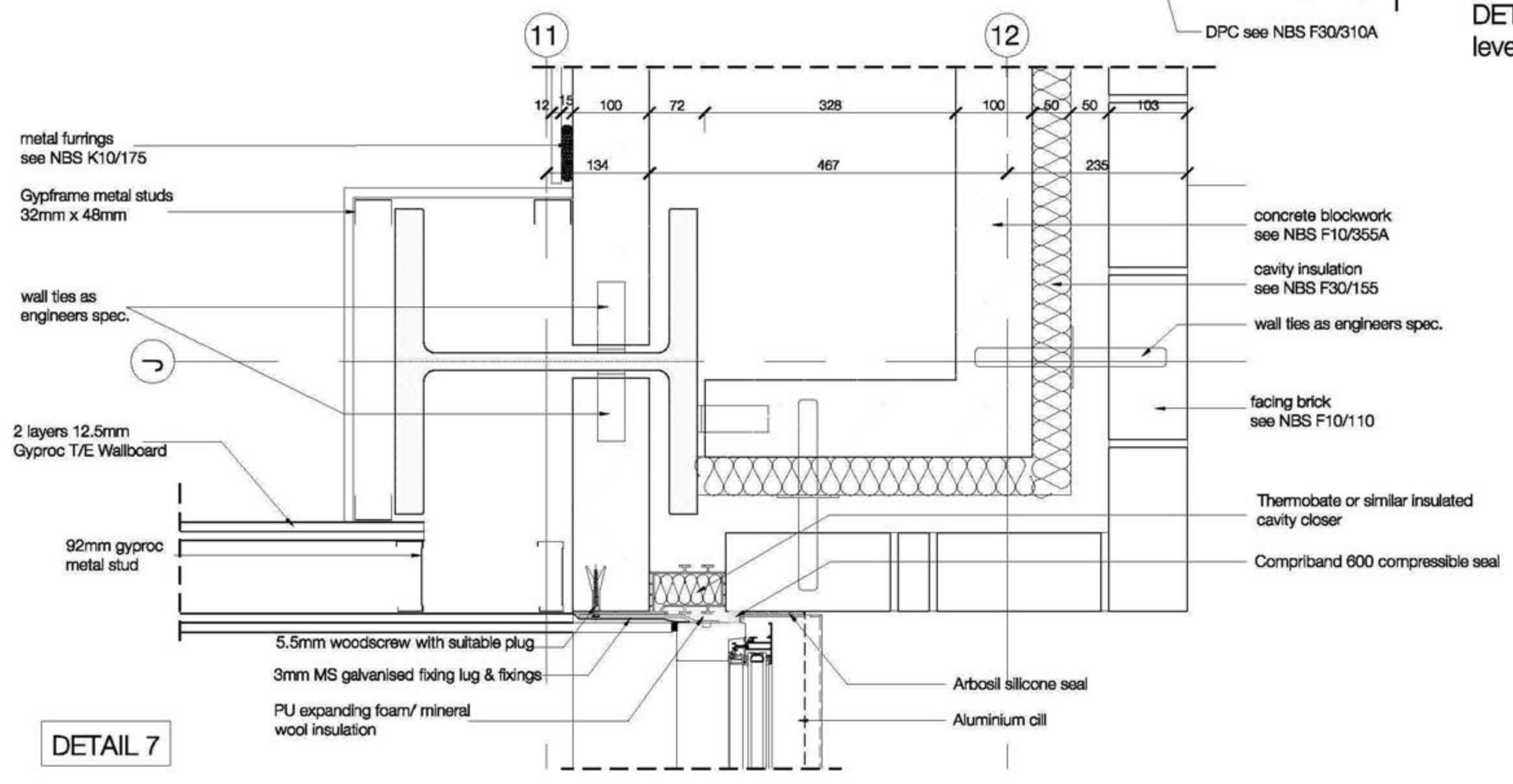
DETAIL 10



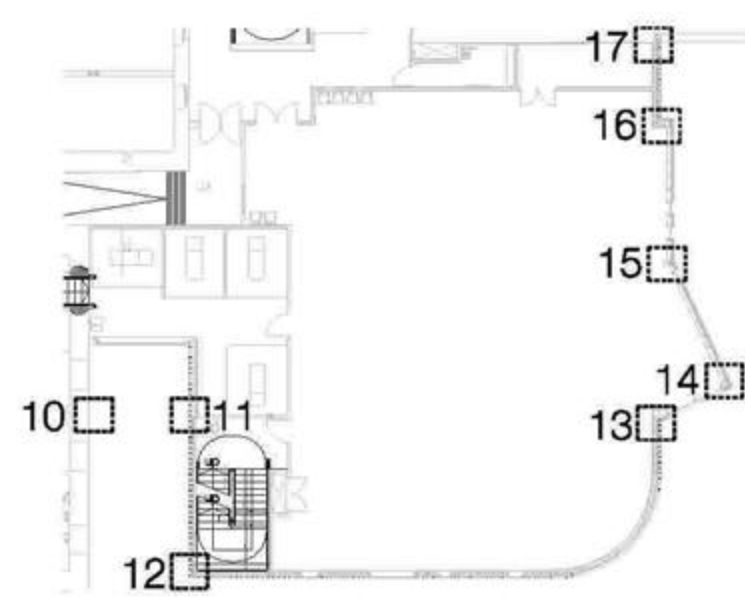
DETAIL 11



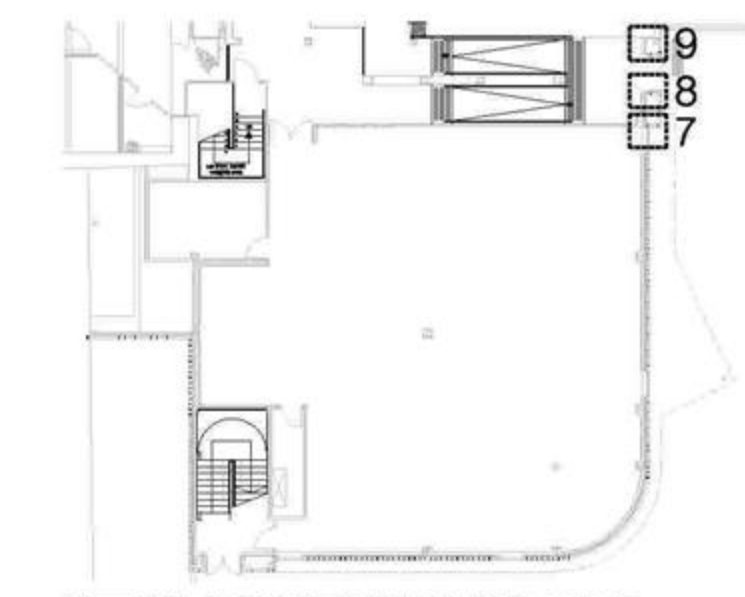
DETAIL 12



DETAIL 7



DETAIL LOCATION PLAN 1:250 level +72.70



DETAIL LOCATION PLAN 1:250 level +68.30

Project Name
The University of Edinburgh
Centre for Sport & Exercise
46 Pleasance, Edinburgh

Title
TYPICAL EXTERNAL WALL
PLAN DETAILS
SHEET 2

Status
Masters

Project no. - Drawing no. - Revision
1557-(21)002

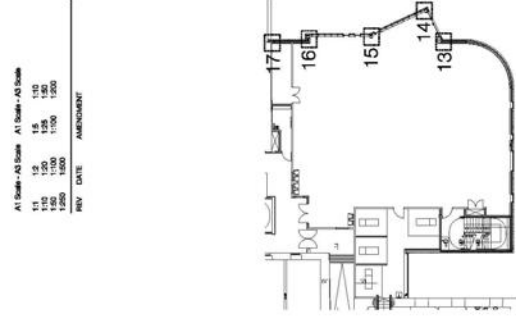
Drawn By
JS

Check Date
21/01/2009

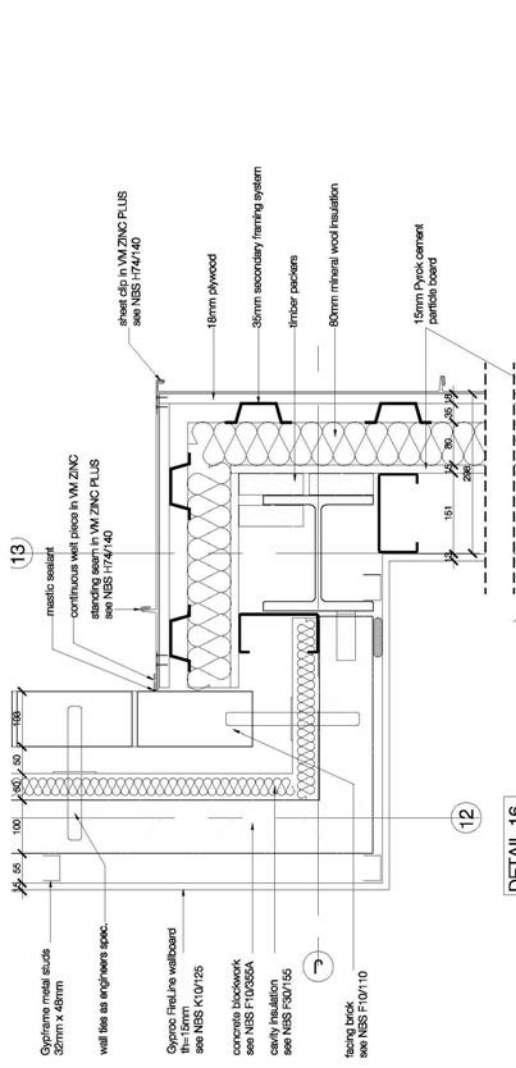
Scale (s) @ A1
1:5

Oberlanders Architects LLP
16 Melville Street Edinburgh EH3 7NS
T 0131 226 9070
F 0131 220 0785
E mail@oberlanders.co.uk
www.oberlanders.co.uk

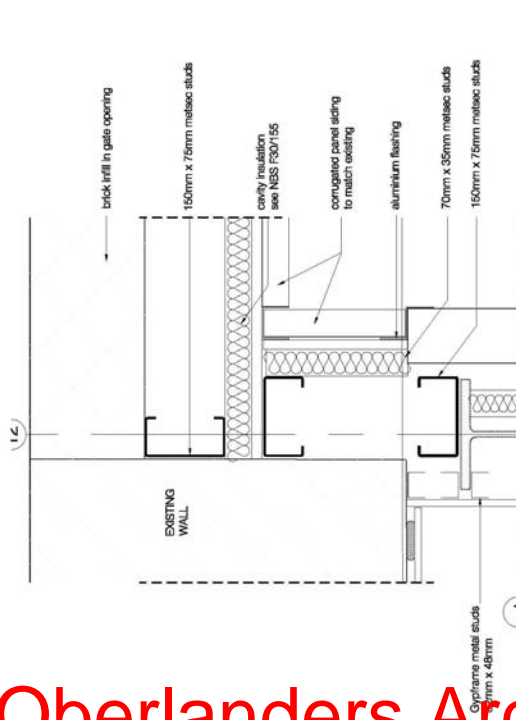
REV	DATE	AMENDMENT
1	11/11/20	AS
2	11/11/20	AS
3	11/11/20	AS
4	11/11/20	AS
5	11/11/20	AS
6	11/11/20	AS
7	11/11/20	AS
8	11/11/20	AS
9	11/11/20	AS
10	11/11/20	AS
11	11/11/20	AS
12	11/11/20	AS
13	11/11/20	AS
14	11/11/20	AS
15	11/11/20	AS
16	11/11/20	AS
17	11/11/20	AS
18	11/11/20	AS
19	11/11/20	AS
20	11/11/20	AS
21	11/11/20	AS
22	11/11/20	AS
23	11/11/20	AS
24	11/11/20	AS
25	11/11/20	AS
26	11/11/20	AS
27	11/11/20	AS
28	11/11/20	AS
29	11/11/20	AS
30	11/11/20	AS
31	11/11/20	AS
32	11/11/20	AS
33	11/11/20	AS
34	11/11/20	AS
35	11/11/20	AS
36	11/11/20	AS
37	11/11/20	AS
38	11/11/20	AS
39	11/11/20	AS
40	11/11/20	AS
41	11/11/20	AS
42	11/11/20	AS
43	11/11/20	AS
44	11/11/20	AS
45	11/11/20	AS
46	11/11/20	AS
47	11/11/20	AS
48	11/11/20	AS
49	11/11/20	AS
50	11/11/20	AS
51	11/11/20	AS
52	11/11/20	AS
53	11/11/20	AS
54	11/11/20	AS
55	11/11/20	AS
56	11/11/20	AS
57	11/11/20	AS
58	11/11/20	AS
59	11/11/20	AS
60	11/11/20	AS
61	11/11/20	AS
62	11/11/20	AS
63	11/11/20	AS
64	11/11/20	AS
65	11/11/20	AS
66	11/11/20	AS
67	11/11/20	AS
68	11/11/20	AS
69	11/11/20	AS
70	11/11/20	AS
71	11/11/20	AS
72	11/11/20	AS
73	11/11/20	AS
74	11/11/20	AS
75	11/11/20	AS
76	11/11/20	AS
77	11/11/20	AS
78	11/11/20	AS
79	11/11/20	AS
80	11/11/20	AS
81	11/11/20	AS
82	11/11/20	AS
83	11/11/20	AS
84	11/11/20	AS
85	11/11/20	AS
86	11/11/20	AS
87	11/11/20	AS
88	11/11/20	AS
89	11/11/20	AS
90	11/11/20	AS
91	11/11/20	AS
92	11/11/20	AS
93	11/11/20	AS
94	11/11/20	AS
95	11/11/20	AS
96	11/11/20	AS
97	11/11/20	AS
98	11/11/20	AS
99	11/11/20	AS
100	11/11/20	AS



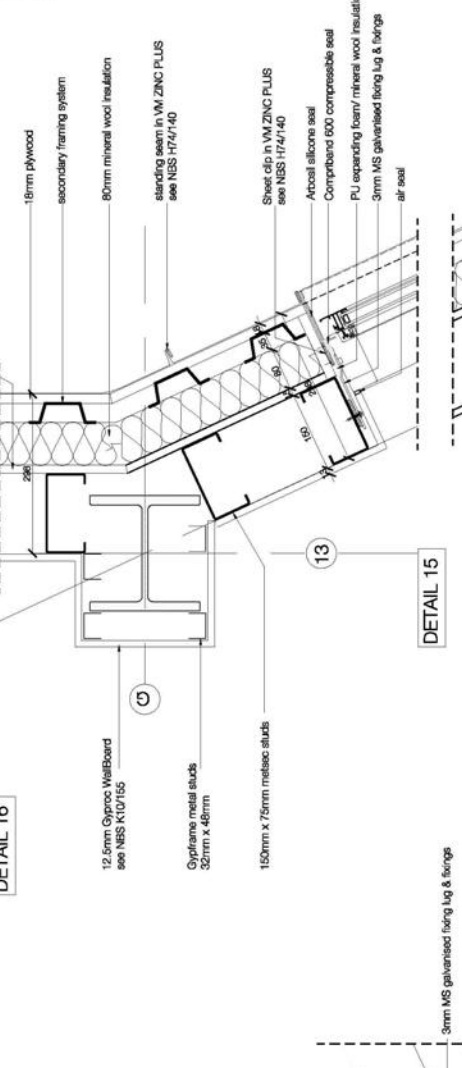
DETAIL LOCATION PLAN 1:250
level +72.70



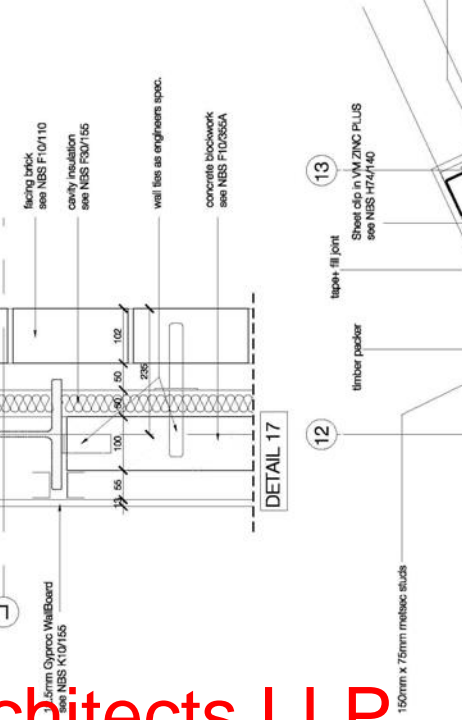
DETAIL 16



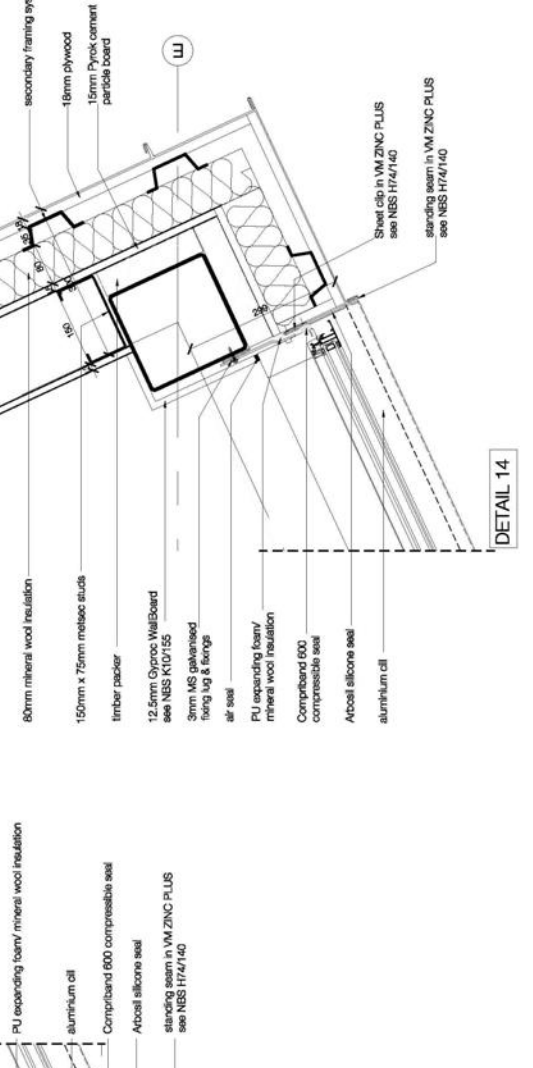
DETAIL 17



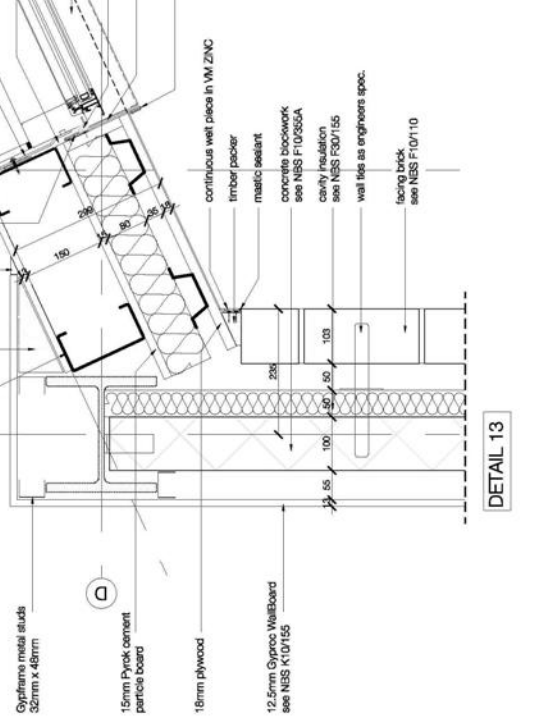
DETAIL 15



DETAIL 12



DETAIL 14



DETAIL 13



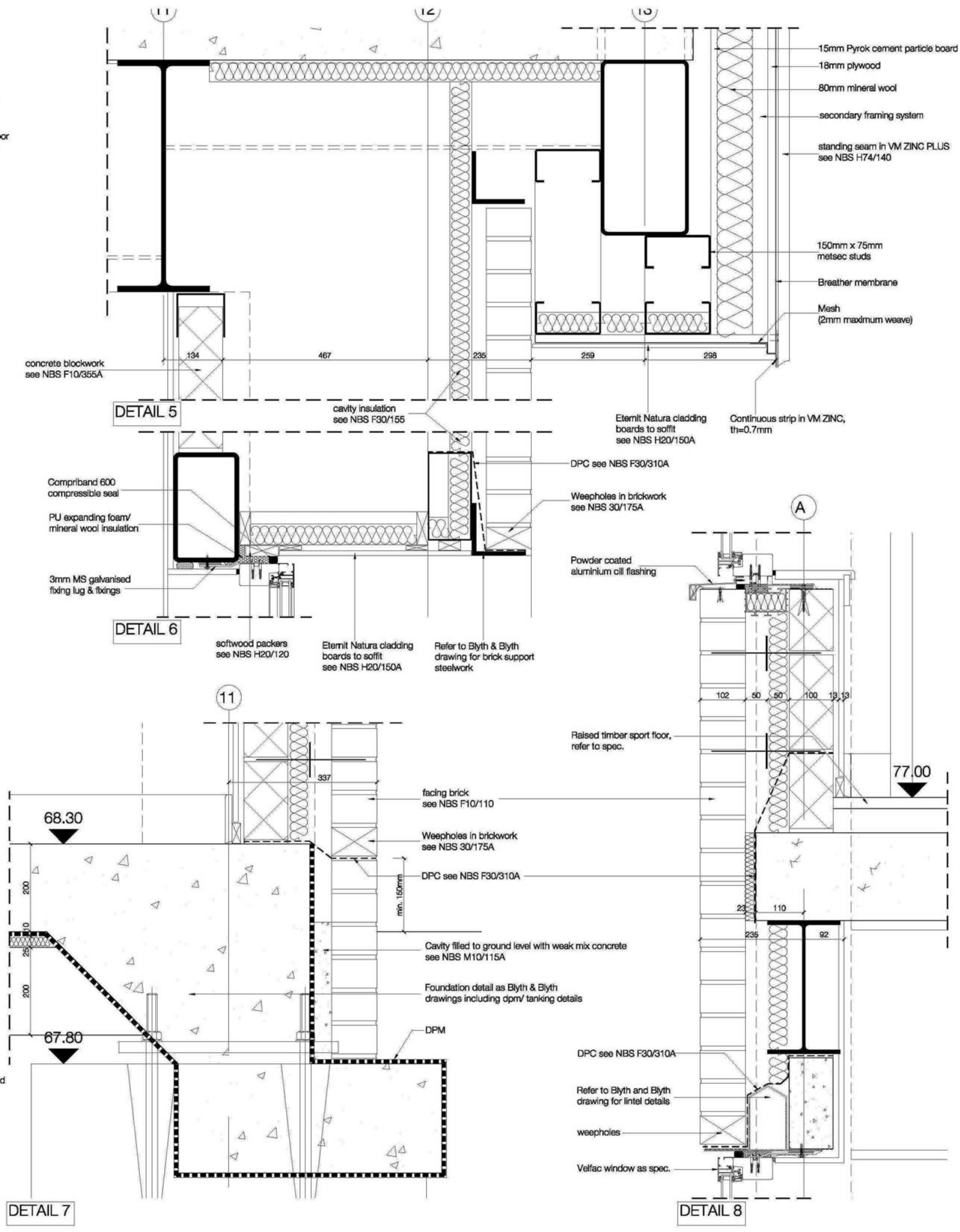
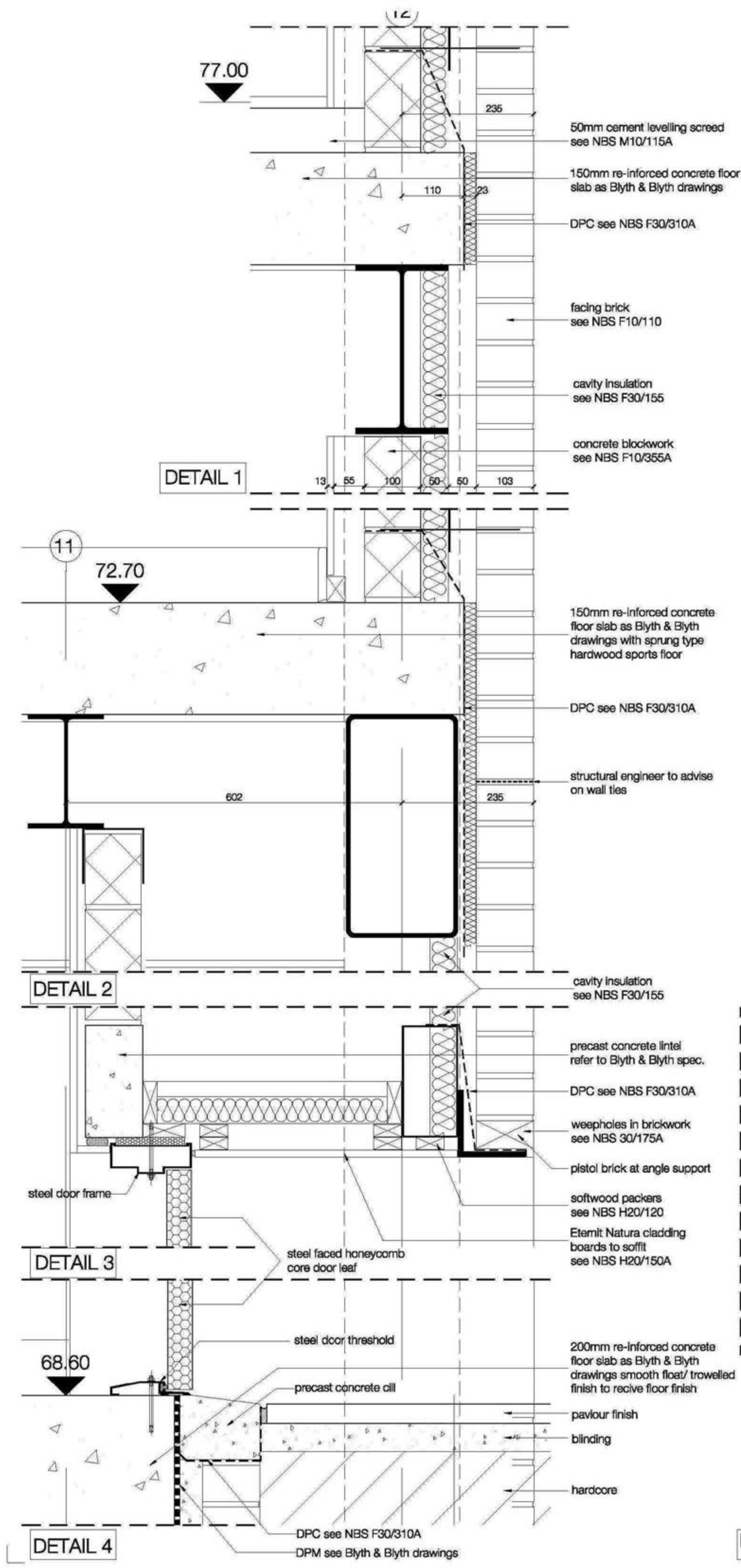
oberlanders

The University of Edinburgh
Centre for Sport & Exercise
48 Pleasance, Edinburgh

TYPICAL EXTERNAL WALL
PLAN DETAILS
SHEET 3

Maugraess
Architects
1557-121003
Overlanders Architects LLP
Overlanders Architects LLP
1101 5th Street
2201/2009
Edinburgh, Scotland
EH6 6PP
www.overlanders.co.uk

A1 Scale - A3 Scale		A1 Scale - A3 Scale	
1:1	1:2	1:5	1:10
1:10	1:20	1:25	1:50
1:50	1:100	1:100	1:200
1:250	1:500		
REV	DATE	AMENDMENT	



oberlanders

Project Name
The University of Edinburgh
Centre for Sport & Exercise
46 Pleasance, Edinburgh

Title
**TYPICAL EXTERNAL WALL
SECTION DETAILS**

Status

Project no. - Drawing no. - Revision
1557-(21)010

Drawn By
JS

Check Date
15/01/2009

Scale (to A1)
1:100

Oberlanders Architects LLP
16 Melville Street Edinburgh EH3 7NS
T 0131 226 9070
F 0131 220 3763
E mail@oberlanders.co.uk
www.oberlanders.co.uk

Door No	Location	Type	Hand	Dwg No	structural opening size (w x h x l)	door leaf size (w x h x l)	Material	Finish	Glazing	lyk. Lock	Fire Rating	Jamb	Jamb	Head	Open	Closing	Notes
DSB 01	Stairwell entrance fire door	1A	RH		1110 x 2100 x 825mm	-	Steel	Paint	-	✓	80 minutes	-	-	-	-	✓	New door, frame and architrave
DSB 02	Cupboard door	4B	LH		910 x 2100 x 135mm	826 x 2040 x 44mm	Timber	Laminate	-	✓	-	-	-	-	-	-	New door, frame and architrave
DSB 03	Wheelchair refuge area fire door	2A	RH		1010 x 2100 x 135mm	826 x 2040 x 44mm	Timber	Laminate	PTG	-	80 minutes	-	-	-	-	✓	New door, frame and architrave
DSB 04	Stairwell entrance fire door	glazed door	RH		see drawing (32)01	-	-	-	-	✓	80 minutes	-	-	-	-	✓	New door, frame and architrave
DB 01	Stairwell entrance fire door	glazed doors	DS		see drawing (32)01	-	-	-	-	✓	80 minutes	-	-	-	-	✓	New door, frame and architrave
DB 02	Office door	glazed door	RH		see drawing (32)01	-	-	-	-	✓	-	-	-	-	-	-	New door, frame and architrave
DB 03	Store door	4B	RH		910 x 2100 x 145mm	826 x 2040 x 44mm	Timber	Laminate	-	✓	-	-	-	-	-	-	New door, frame and architrave
DB 04	Stairwell entrance fire door	2A	RH		1010 x 2100 x 145mm	826 x 2040 x 44mm	Timber	Laminate	PTG	✓	80 minutes	-	-	-	-	✓	New door, frame and architrave
DB 05	Exit door	1B	DS		1585 x 2100 x 303mm	[750 x 2040 x 44mm] x2	Steel	Laminate	-	✓	-	-	-	-	-	✓	New door, frame and architrave
DB 06	Exit door	1B	DS		1585 x 2100 x 303mm	[750 x 2040 x 44mm] x2	Steel	Laminate	-	✓	-	-	-	-	-	✓	New door, frame and architrave
DB 07	Riser fire door	3A	DS		1500 x 2100 x 190mm	[708 x 2040 x 44mm] x2	Timber	Laminate	PTG	✓	80 minutes	-	-	-	-	✓	New door, frame and architrave
DB 08	Sports hall door	2F	DS		1715 x 2100 x 155mm	to suit structural opening	Timber	Laminate	-	✓	-	-	-	-	-	✓	New door in existing frame
DB 09	Lobby fire door	2D	DS		1374 x 2100 x 105mm	[645 x 2040 x 44mm] x2	Timber	Laminate	PTG	✓	80 minutes	-	-	-	-	✓	New door, frame and architrave
DB 10	Lobby fire door	7A	LH		1010 x 2100 x 140mm	926 x 2040 x 44mm	Timber	Laminate	-	✓	80 minutes	-	-	-	-	✓	New door, frame and architrave
DB 11	Cleaner store door	3C	LH		810 x 2100 x 145mm	726 x 2040 x 44mm	Timber	Laminate	-	✓	-	-	-	-	-	-	New door, frame and architrave
DB 12	Lobby fire door	7A	LH		1010 x 2100 x 140mm	926 x 2040 x 44mm	Timber	Laminate	-	✓	80 minutes	-	-	-	-	✓	New door, frame and architrave
DB 13	Archery range store door	existing door	RH		-	-	Timber	Paint	-	-	-	-	-	-	-	-	Existing door and frame
DB 14	Archery range club room door	existing door	RH		-	-	Timber	Paint	-	-	-	-	-	-	-	-	Existing door and frame
DB 15	Archery range door	existing door	LH		-	-	Timber	Paint	-	-	-	-	-	-	-	-	Existing door and frame
DB 16	Rifle range door	6A	LH		see site	to suit structural opening	Steel / Timber	Paint	-	✓	-	-	-	-	-	✓	New door and frame
DB 17	Stairwell entrance fire door	1A	LH		1010 x 2100 x 825mm	926 x 2040 x 44mm	Steel	Laminate	PTG	✓	80 minutes	-	-	-	-	✓	New door, frame and architrave
DB 18	Sports hall door	5A	DS		4220 x 2800 x 362mm	to suit structural opening	Steel	Timber	-	✓	-	-	-	-	-	-	New door and frame
DG 01	NBC gym fire door	glazed doors	DS		see drawing (32)01	-	-	-	-	✓	80 minutes	-	-	-	-	✓	New door, frame and architrave
DG 02	NBC gym store door	4C	DS		1500 x 2100 x 145mm	[708 x 2040 x 44mm] x2	Timber	Laminate	-	✓	-	-	-	-	-	-	New door, frame and architrave
DG 03	Stairwell entrance fire door	2A	LH		1010 x 2100 x 145mm	826 x 2040 x 44mm	Timber	Laminate	PTG	-	80 minutes	-	-	-	-	✓	New door, frame and architrave
DG 04	Elec. cupboard door	4C	DS		1500 x 2100 x 145mm	[708 x 2040 x 44mm] x2	Timber	Laminate	-	✓	-	-	-	-	-	-	New door, frame and architrave
DG 05	New treatment area door	2A	LS		1010 x 2100 x 145mm	926 x 2040 x 44mm	Timber	Laminate	PTG	✓	80 minutes	-	-	-	-	-	New door, frame and architrave
DG 06	Cleaner store room	4A	RS		810 x 2100 x 145mm	726 x 2040 x 44mm	Timber	Laminate	-	✓	-	-	-	-	-	-	New door, frame and architrave
DG 07	Stairwell entrance fire door	glazed doors	DS		see drawing (32)01	-	-	-	-	✓	80 minutes	-	-	-	-	✓	New door, frame and architrave
DG 08	Stairwell entrance fire door	2E	DS		1700 x 2100 x 145mm	[807 x 2040 x 44mm] x2	Timber	Laminate	PTG	-	80 minutes	-	-	-	✓	✓	New door, frame and architrave
DG 09	Stairwell entrance fire door	2E	DS		1700 x 2100 x 145mm	[807 x 2040 x 44mm] x2	Timber	Laminate	PTG	-	80 minutes	-	-	-	✓	✓	New door, frame and architrave
DG 10	Break out space door	2E	DS		1700 x 2100 x 145mm	[807 x 2040 x 44mm] x2	Timber	Laminate	LG	✓	-	-	-	-	-	✓	New door, frame and architrave
DG 11	Riser fire door	3A	DS		1500 x 2100 x 145mm	[708 x 2040 x 44mm] x2	Timber	Laminate	-	✓	80 minutes	-	-	-	-	✓	New door, frame and architrave
DG 12	Extended core gym fire door	2B	RH		see site	to suit structural opening	Timber	Laminate	PTG	✓	80 minutes	-	-	-	-	✓	New door in existing frame
DG 13	Stairwell entrance fire door	2C	DS		1500 x 2100 x 140mm	590/ 926 x 2040 x 44mm	Timber	Laminate	PTG	-	80 minutes	-	-	-	-	✓	New door, frame and architrave
DG 14	Lobby fire door	2C	DS		1600 x 2100 x 140mm	590/ 926 x 2040 x 44mm	Timber	Laminate	PTG	-	80 minutes	-	-	-	-	✓	New door, frame and architrave
D1 01	Stairwell entrance fire door	glazed doors	DS		see drawing (32)01	-	-	-	-	✓	80 minutes	-	-	-	-	✓	New door, frame and architrave
D1 02	Dance studio store door	4C	DS		1500 x 2100 x 145mm	[708 x 2040 x 44mm] x2	Timber	Laminate	-	✓	-	-	-	-	-	-	New door, frame and architrave
D1 03	Dance studio store door	4C	DS		1500 x 2100 x 145mm	[708 x 2040 x 44mm] x2	Timber	Laminate	-	✓	-	-	-	-	-	-	New door, frame and architrave
D1 04	Stairwell entrance fire door	2A	RH		1010 x 2100 x 145mm	926 x 2040 x 44mm	Timber	Laminate	PTG	✓	80 minutes	-	-	-	-	✓	New door, frame and architrave
D1 05	Store/ Elec. cupboard door	4B	RH		910 x 2100 x 145mm	826 x 2040 x 44mm	Timber	Laminate	-	✓	-	-	-	-	-	-	New door, frame and architrave
D1 06	Plant room fire door	2A	LH		1010 x 2100 x 145mm	926 x 2040 x 44mm	Timber	Laminate	PTG	✓	80 minutes	-	-	-	-	✓	New door, frame and architrave
D1 07	Riser fire door	3A	DS		1500 x 2100 x 145mm	[708 x 2040 x 44mm] x2	Timber	Laminate	-	✓	80 minutes	-	-	-	-	✓	New door, frame and architrave
D1 08	Hoist door	1C	DS		1243 x 2100 x 145mm	to suit structural opening	Steel	Paint	-	✓	-	-	-	-	-	✓	New door, frame and architrave

Key to Abbreviations

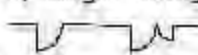
PTG Clear Pyran 5 6mm Toughened FD60S glass by Schott


PDTG Clear Pyrandur Plus 7mm FD30 glass by Pilkington

LG 6.5mm laminated glass by Schott

TG 12mm toughened glass

DS Double doors, single swing

LH Left hand 

RH Right hand 

SD Single Door Double Swing

S/O Structural opening

- All structural opening sizes to be checked on site prior to manufacture
- For trimmongery refer to schedule.
- Allow for taking down, trimming and re-hanging door door leafs following laying of floor finishes.
- All fire rated doors to comply with BS 476 Pt 22; 1987
- All fire rated doors to be fitted smoke seals in accordance BS 476.Pt 31,1; 1983
- Contractor to provide Fire & Smoke Test Certificates for all fire rated doors/doorsets, in accordance with BS 476.Pt 22;1987 & BS 476.Pt 33,1; 1983

REV	DATE	AMENDMENT
A	16.12.08	door details updated
B	19.01.09	structural opening size updated

Project Name
The University of Edinburgh
Centre for Sport & Exercise
46 Pleasance, Edinburgh

Project no. - Drawing no. - Revision
1557-(3)-01-B

Status
Tender

Title
DOOR SCHEDULE

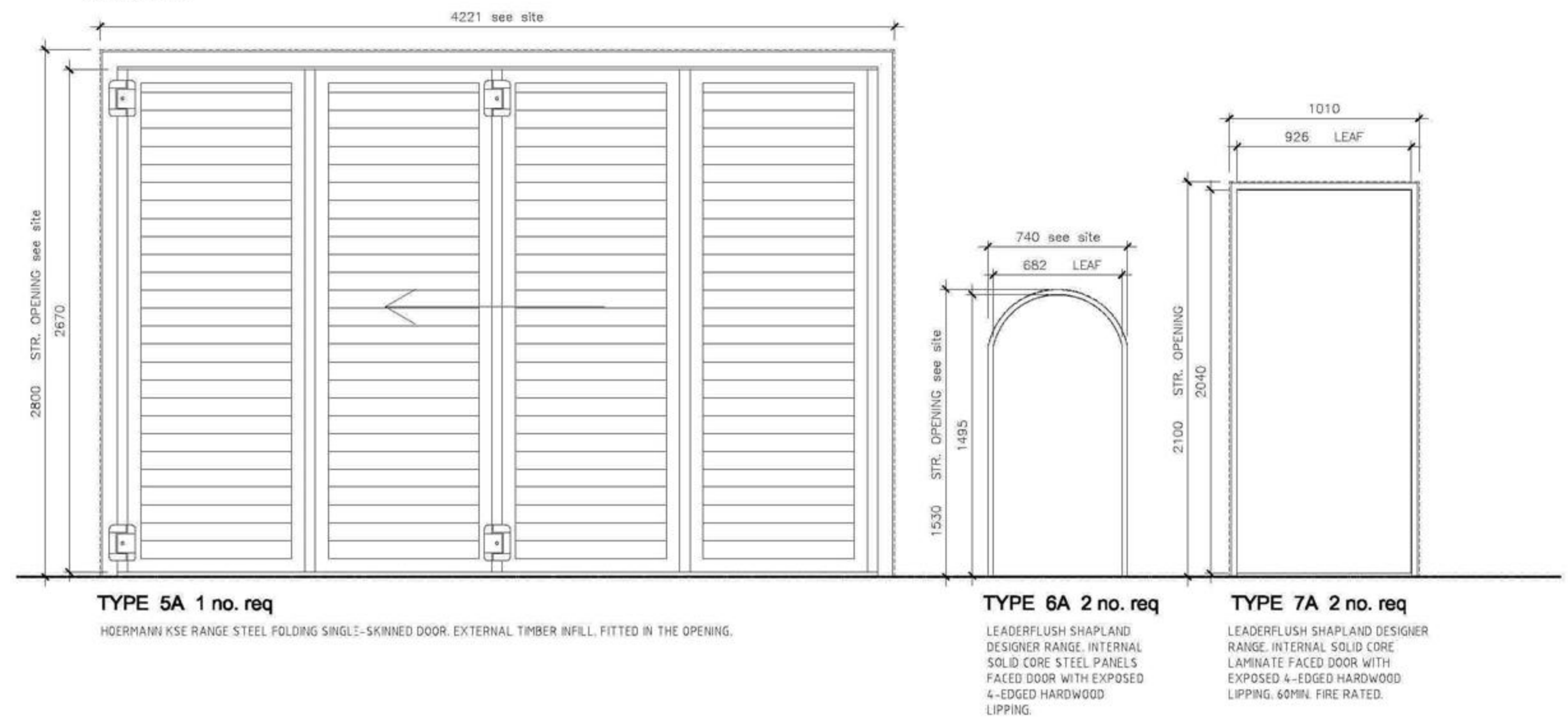
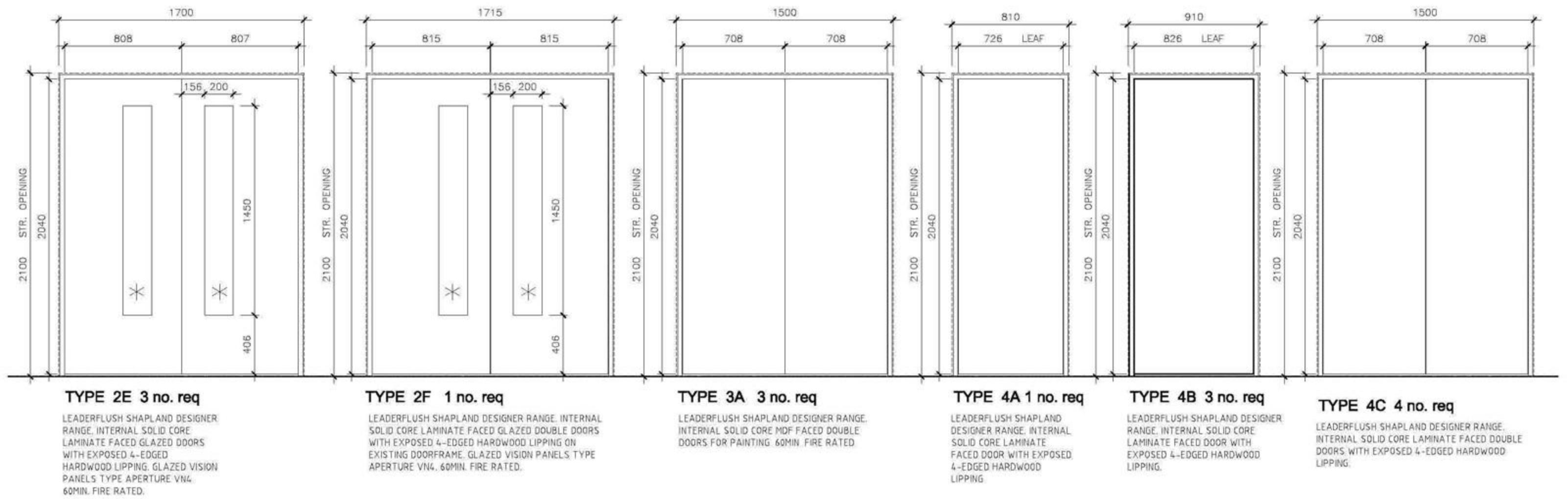
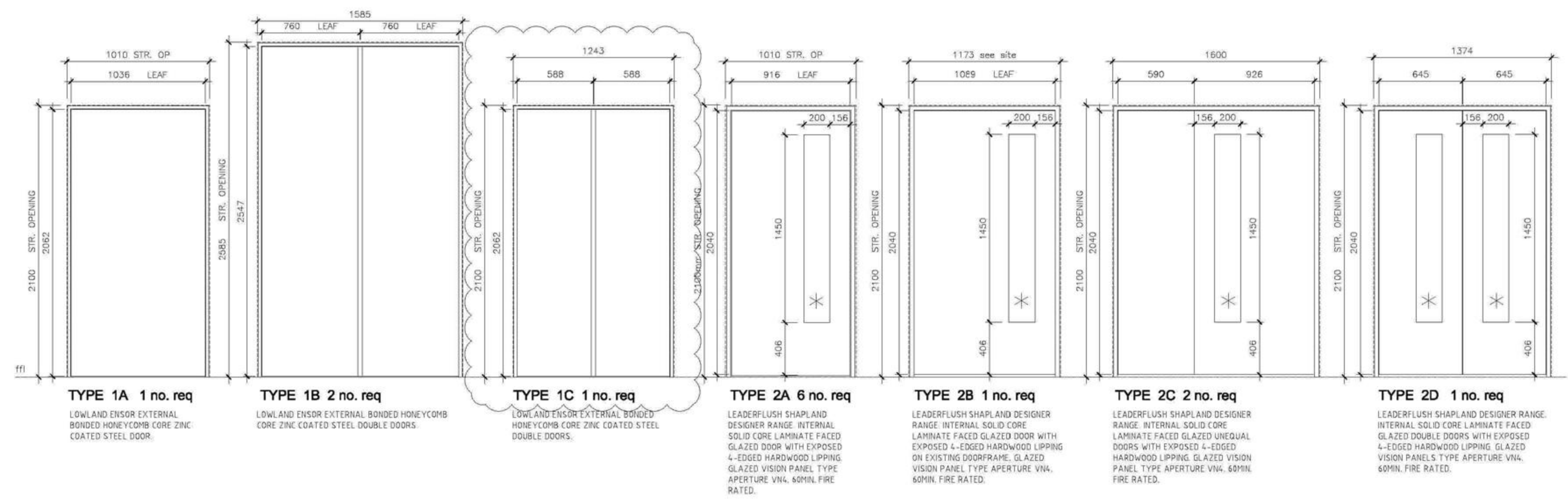
Drawn By
JS
Drawn Date
27/11/2008
Scale (A)
NTS

Oberlanders Architects LLP
16 Melville Street Edinburgh EH3 7NS
T 0131 225 8070
F 0131 220 3763
E mail@oberlanders.co.uk
www.oberlanders.co.uk

Refer to NBS Section L20 for further specification



REV	DATE	AMENDMENT
A	18.12.08	-New door type added. -2A type door number updated.
B	19.01.09	-1C door size changed to suit new structural opening.



oberlanders

Project Name
 The University of Edinburgh
 Centre for Sport & Exercise
 46 Pleasance, Edinburgh

Title
 DOOR SCHEDULE

Status
Design

Project no. - Drawing no. - Revision
 1557-(3)-02-B

Drawn By
 JS

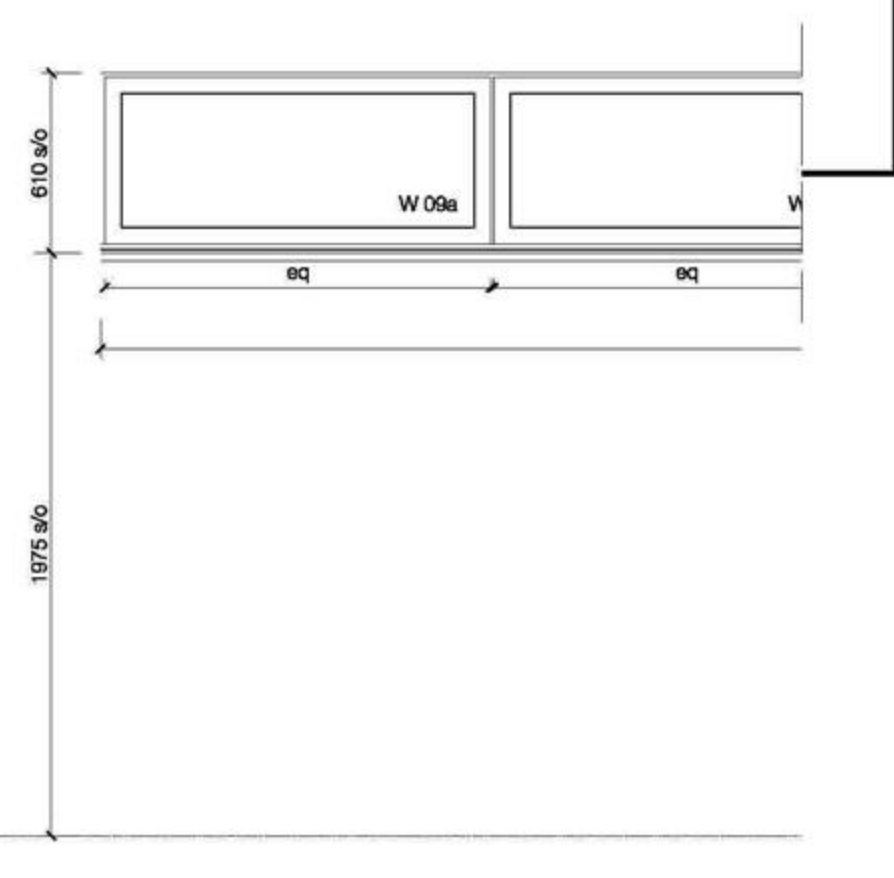
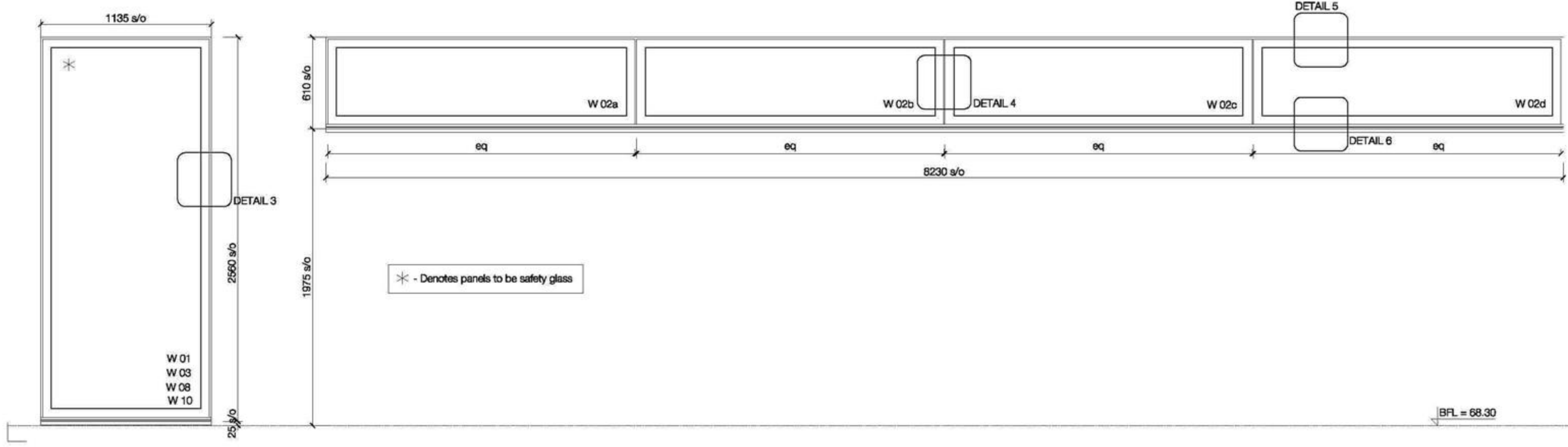
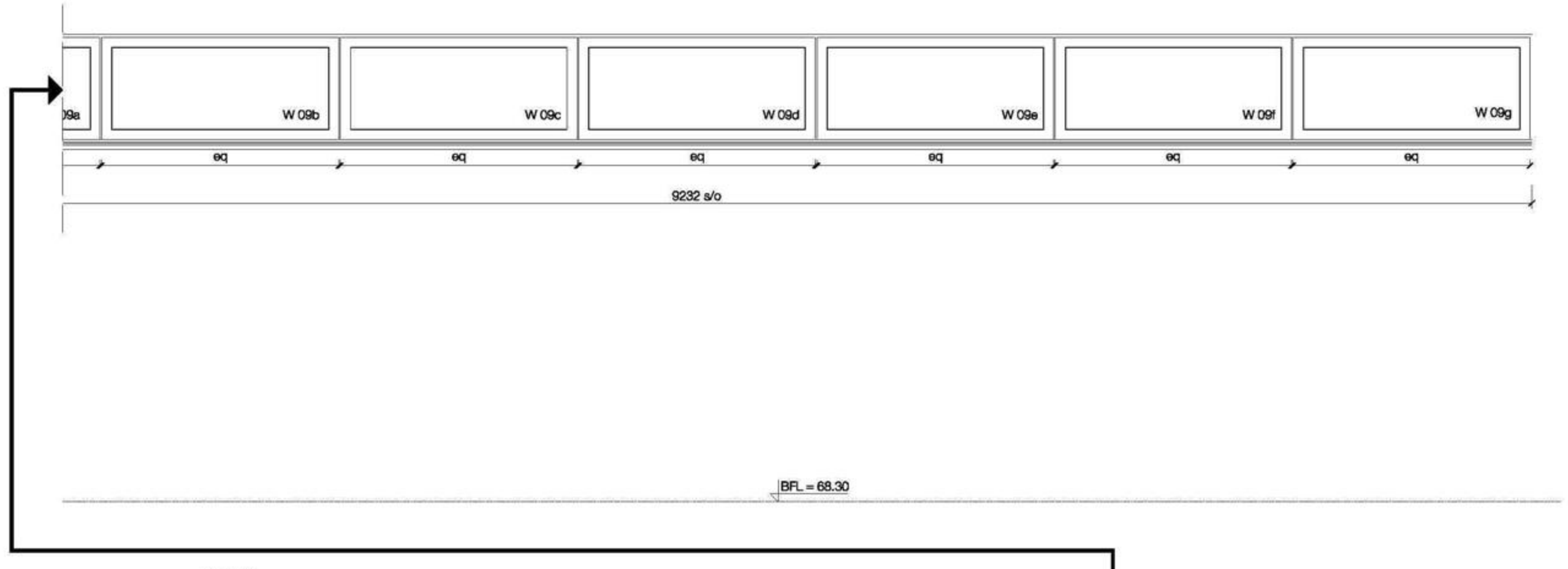
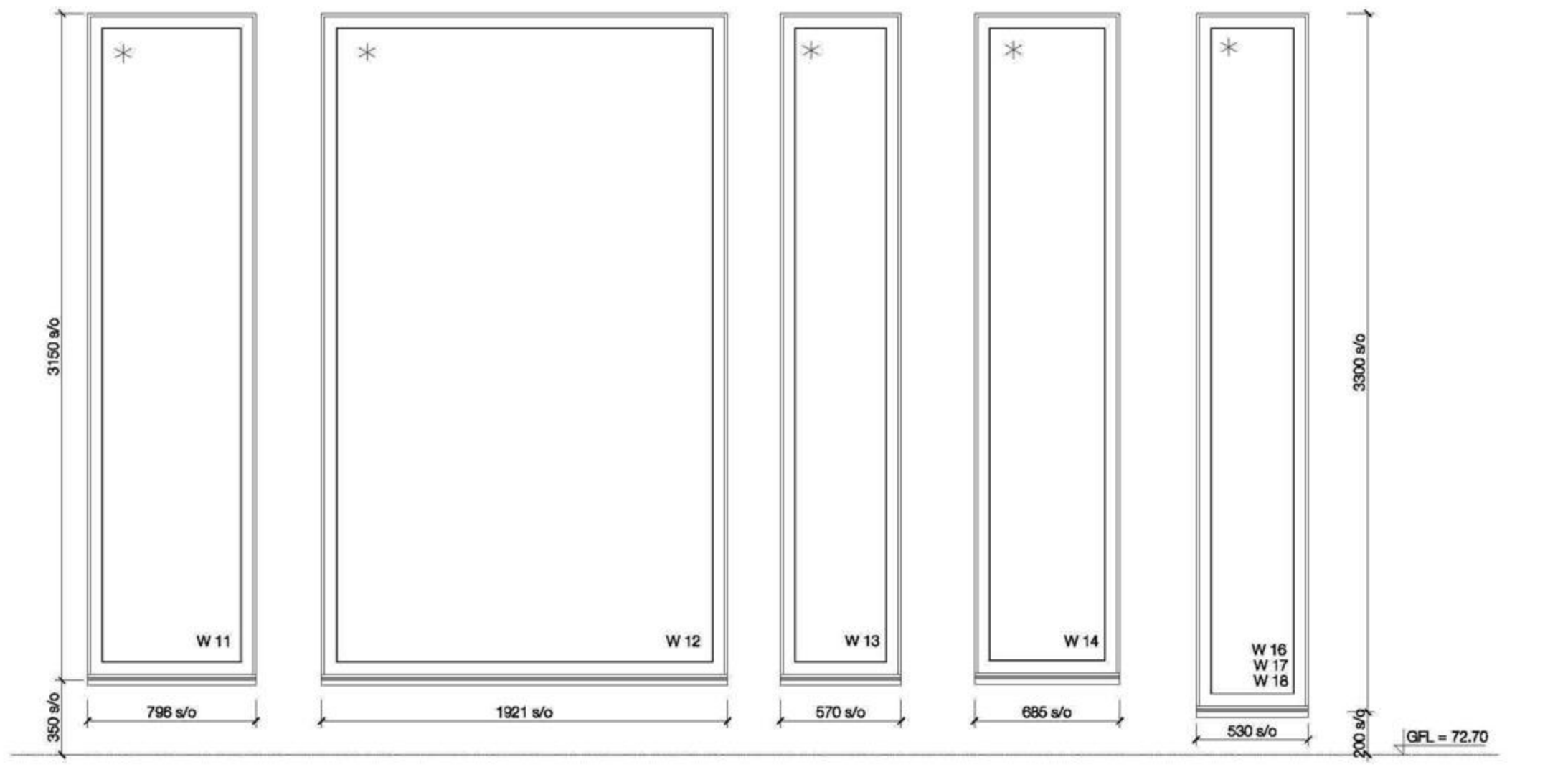
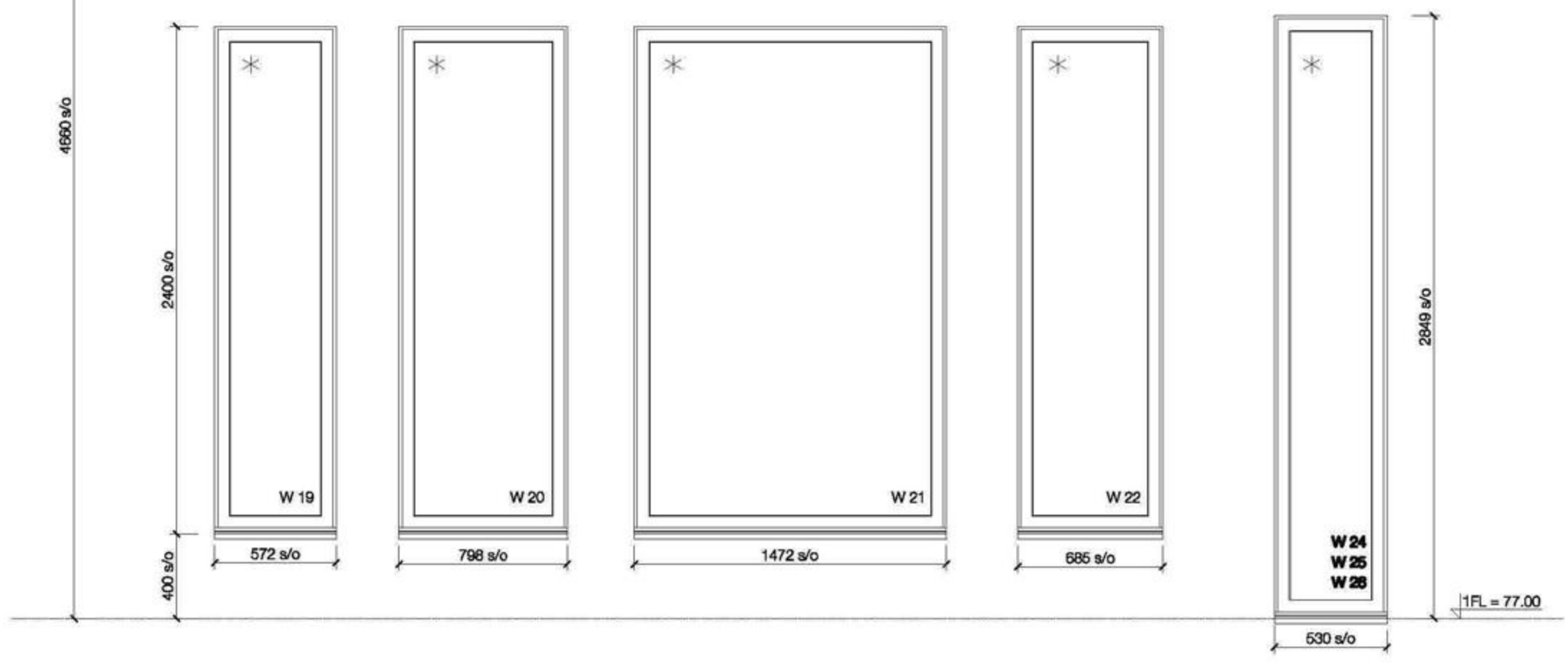
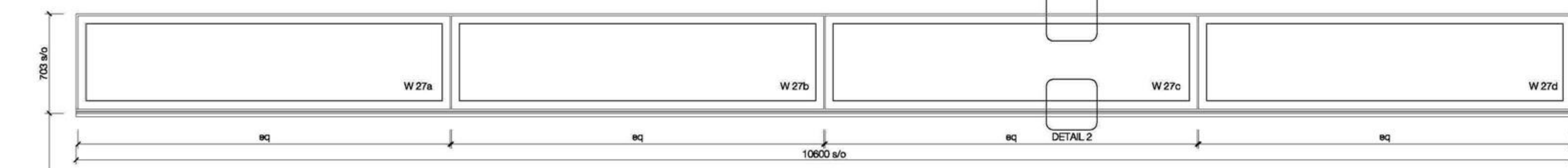
Created By
 Oberlanders Architects LLP

Drawn Date
 25/11/2008

Scale (s) @ A1
 1:20

16 Melville Street Edinburgh EH3 7NS
 T 0131 226 8070
 F 0131 220 3783
 E mail@oberlanders.co.uk
 www.oberlanders.co.uk

A1 Scale - A3 Scale		A1 Scale - A3 Scale	
1:1	1:2	1:5	1:10
1:10	1:20	1:25	1:50
1:50	1:100	1:100	1:200
1:250	1:500		
REV	DATE	AMENDMENT	



Details refer to NBS L10/400A and drawing no. (31)03

oberlanders

Project Name
The University of Edinburgh
Centre for Sport & Exercise
46 Pleasance, Edinburgh

Title
WINDOW SCHEDULE

Status
Billing

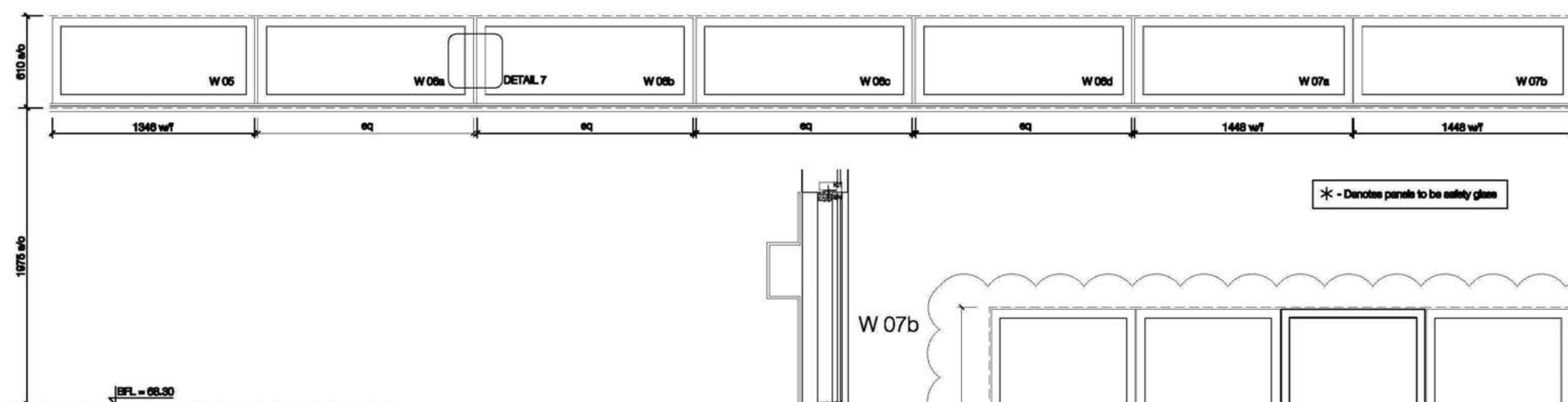
Project no. - Drawing no. - Revision
1557-(31)01

Drawn By
JS

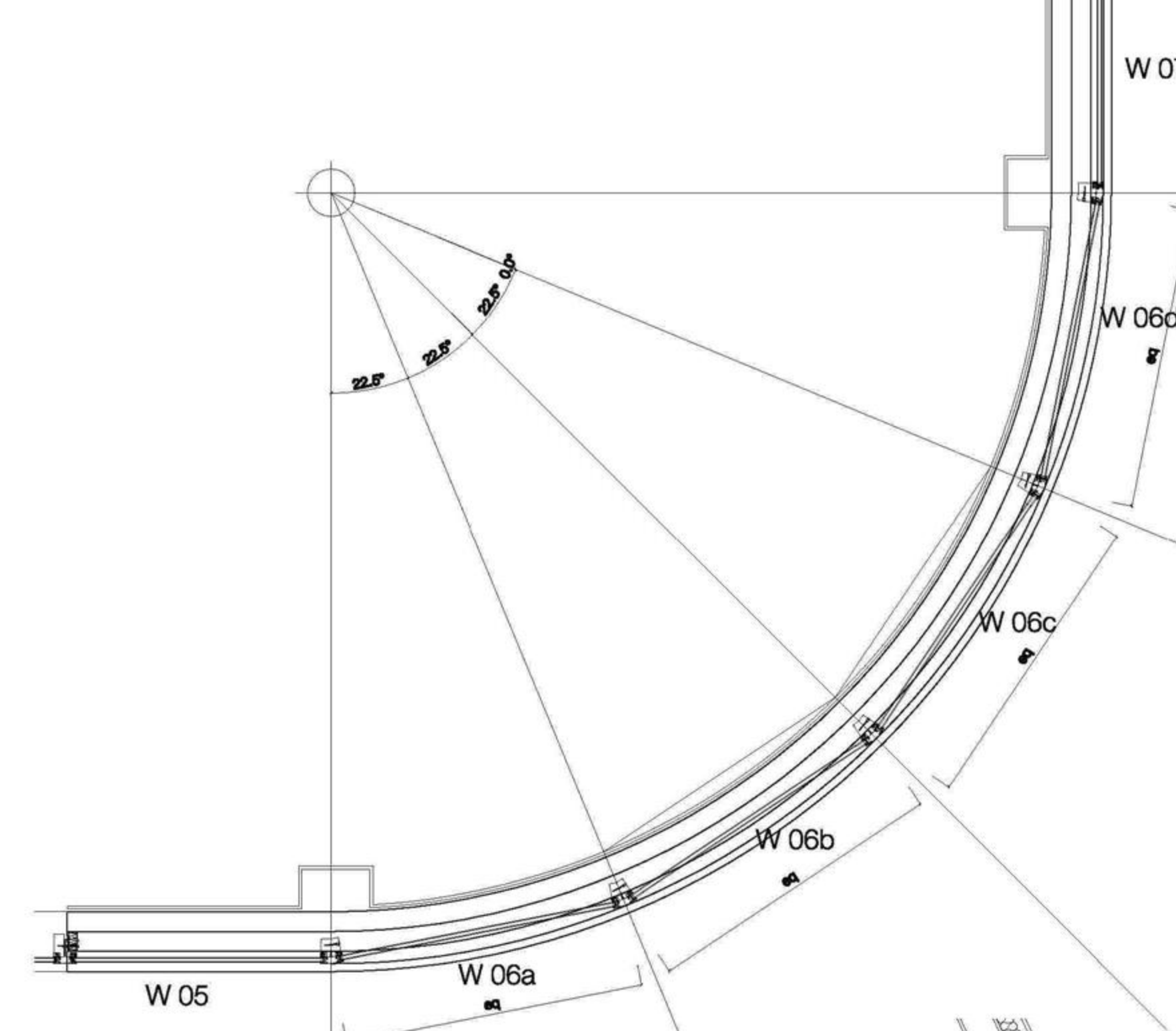
Drawn Date
17/12/2008

Scale (s) @ A1
1:20

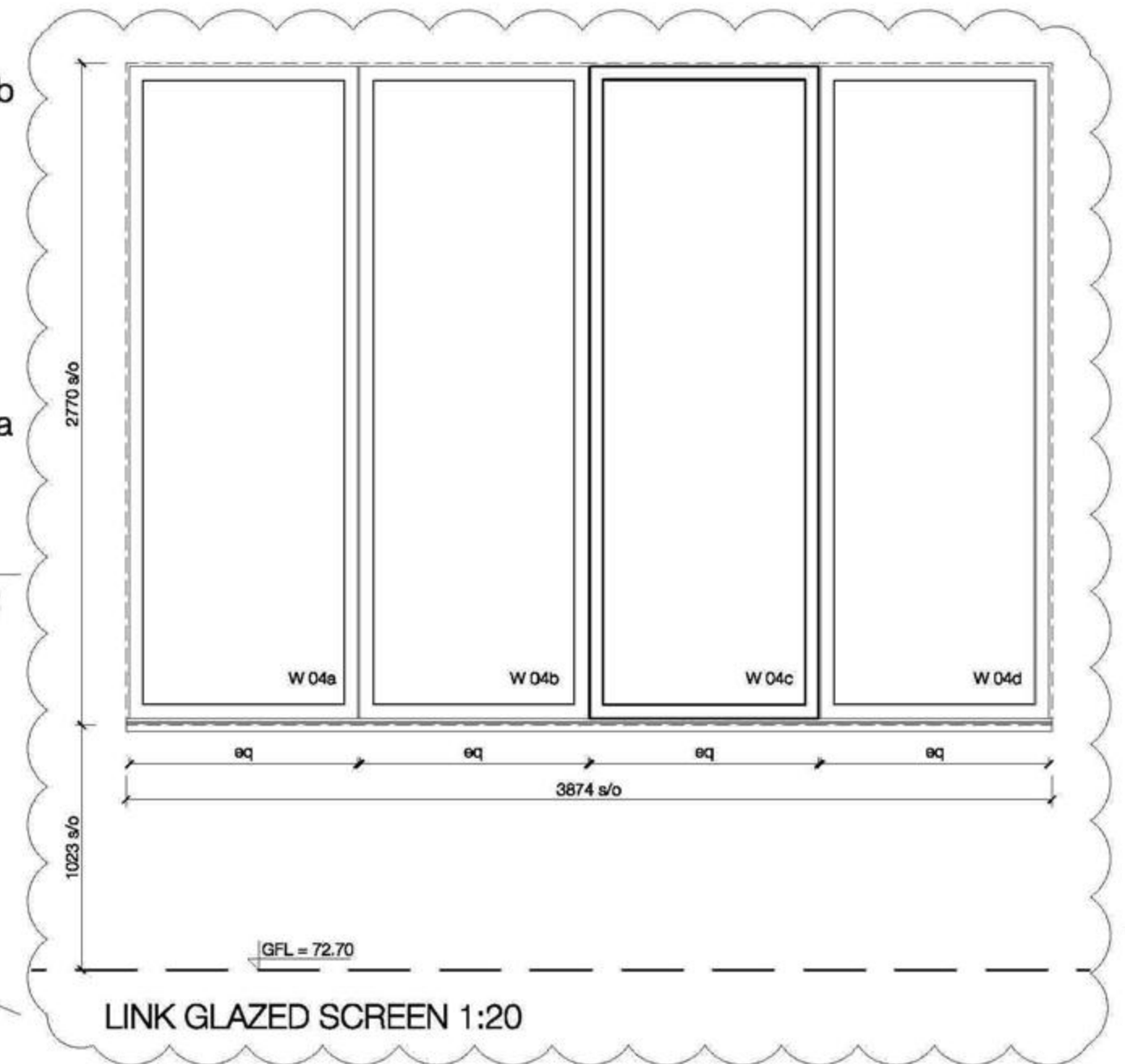
Oberlanders Architects LLP
16 Melville Street Edinburgh EH3 7NS
T 0131 226 9070
F 0131 220 3763
E mail@oberlanders.co.uk
www.oberlanders.co.uk



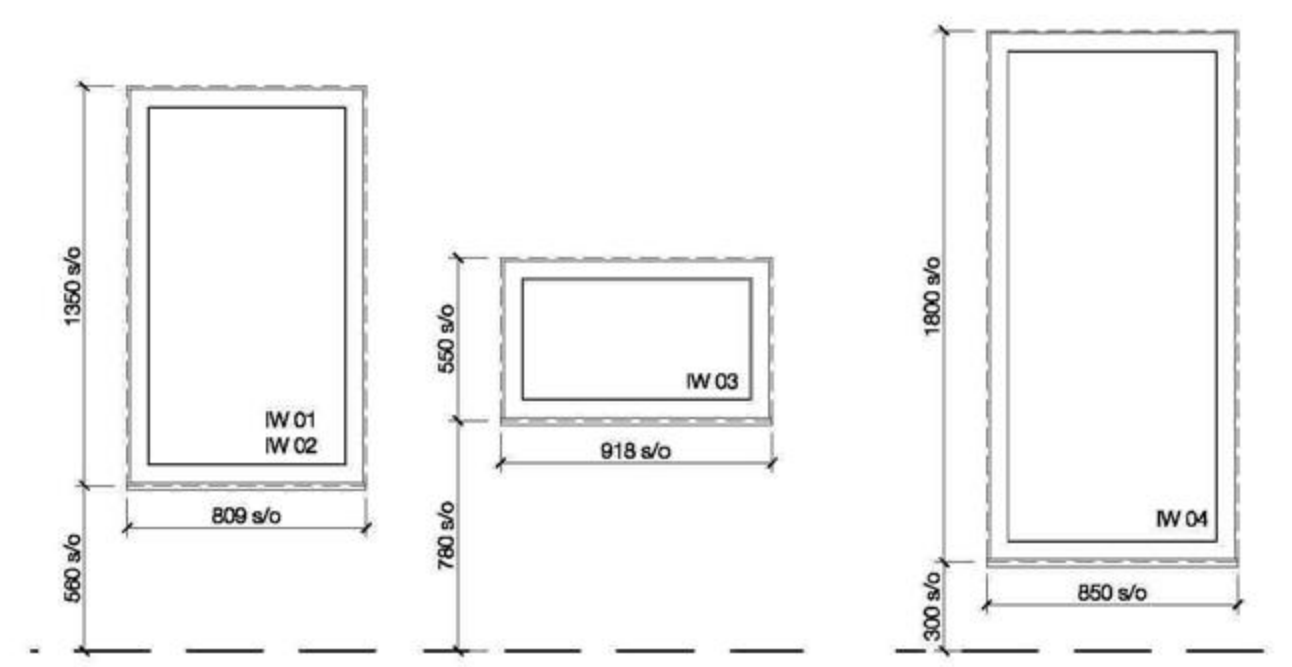
FACETED ELEVATION WINDOWS 1:20



CURVED WALL PLAN 1:20

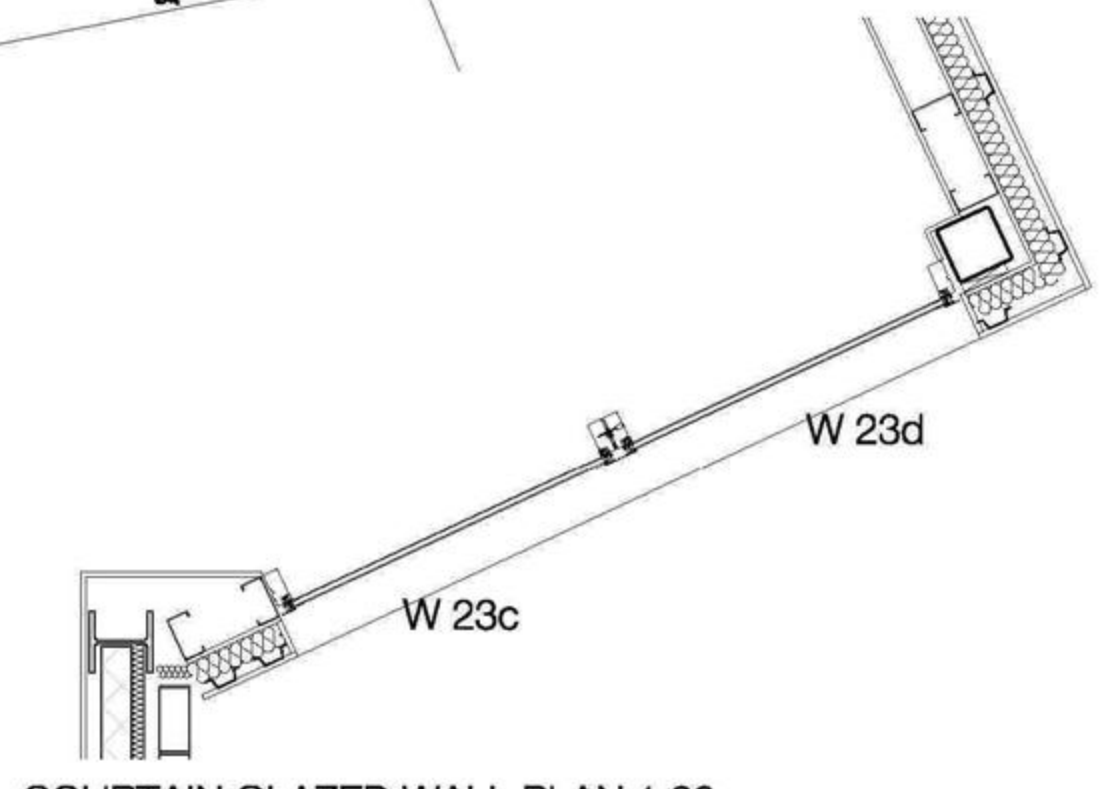


LINK GLAZED SCREEN 1:20

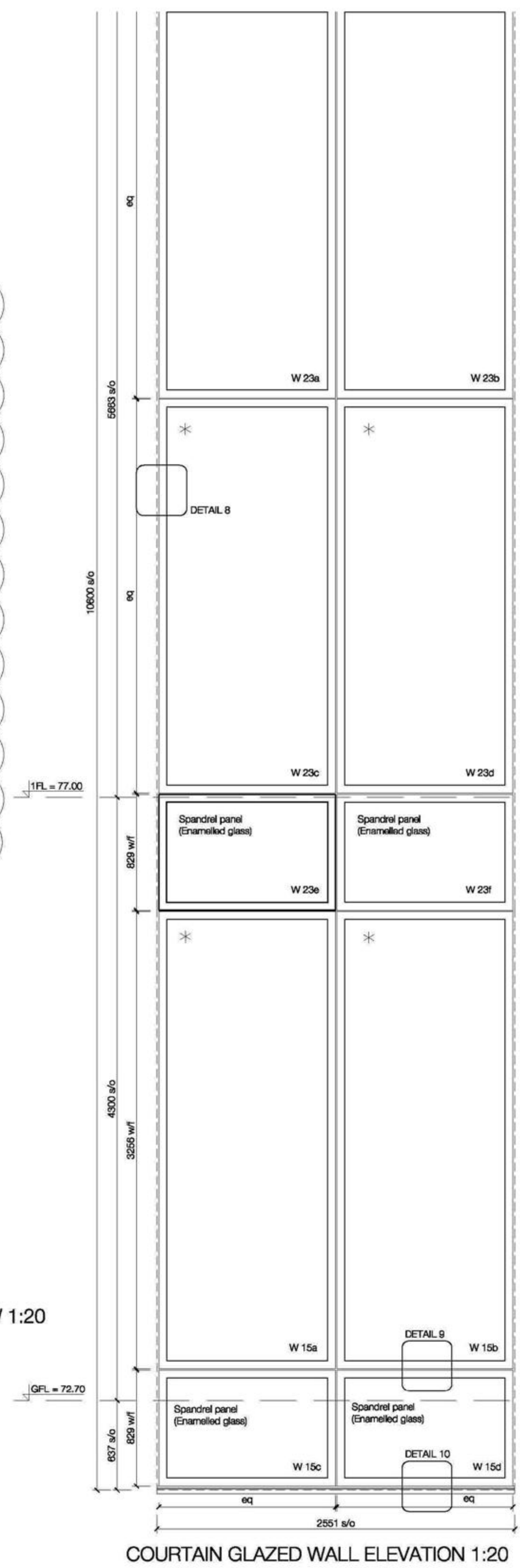


EXISTING INTERNAL WINDOWS 1:20

NEW INTERNAL WINDOW 1:20



COURTAIN GLAZED WALL PLAN 1:20



COURTAIN GLAZED WALL ELEVATION 1:20

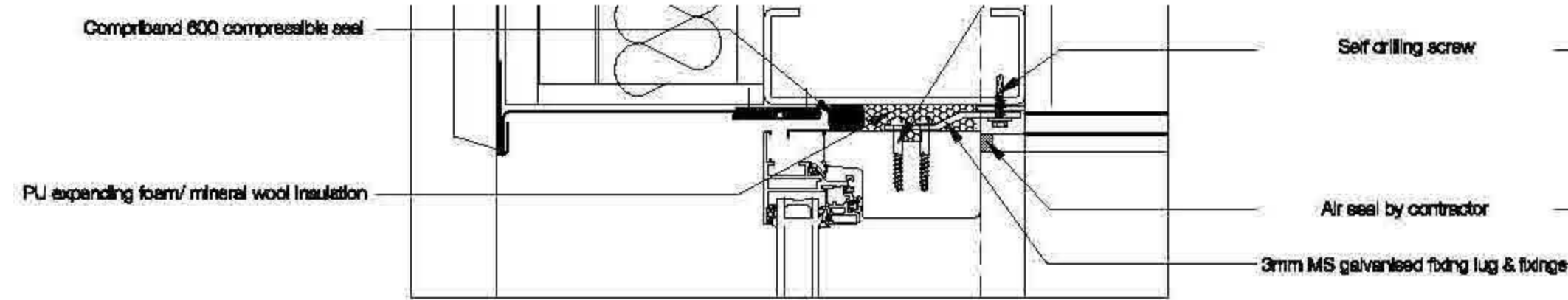
REV	DATE	AMENDMENT
A	08.01.09	- Link glazed screen added



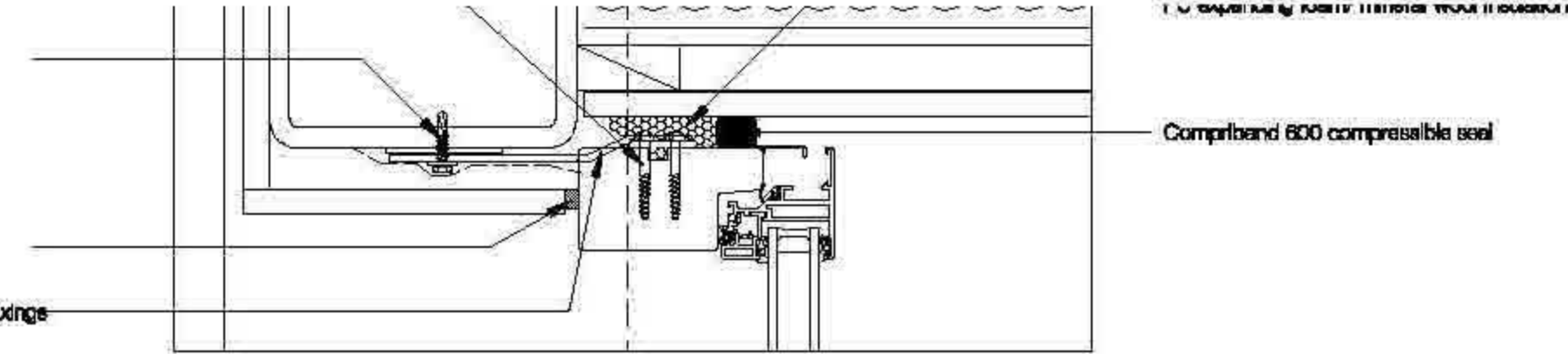
oberlanders
 Project Name
 The University of Edinburgh
 Centre for Sport & Exercise
 46 Pleasance, Edinburgh

Title
 WINDOW SCHEDULE
 SHEET 2

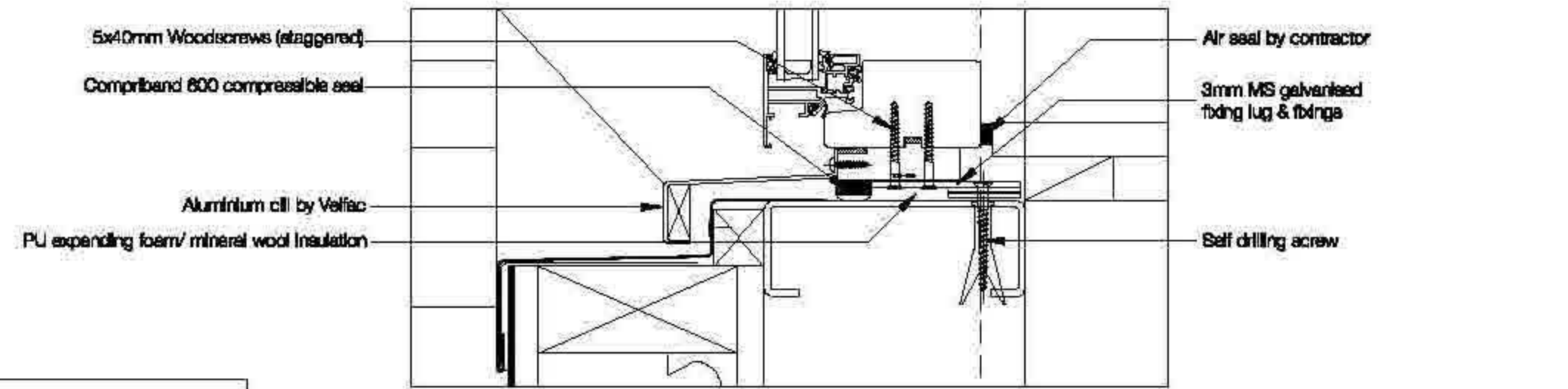
Status
Tender
 Project no. - Drawing no. - Revision
 1557-(31)02-A
 Drawn By
 JS
 Drawn Date
 17/12/2008
 Scale (s) @ A1
 1:20
 Oberlanders Architects LLP
 16 Melville Street Edinburgh EH3 7NS
 T 0131 226 9070
 F 0131 220 3783
 E mail@oberlanders.co.uk
 www.oberlanders.co.uk



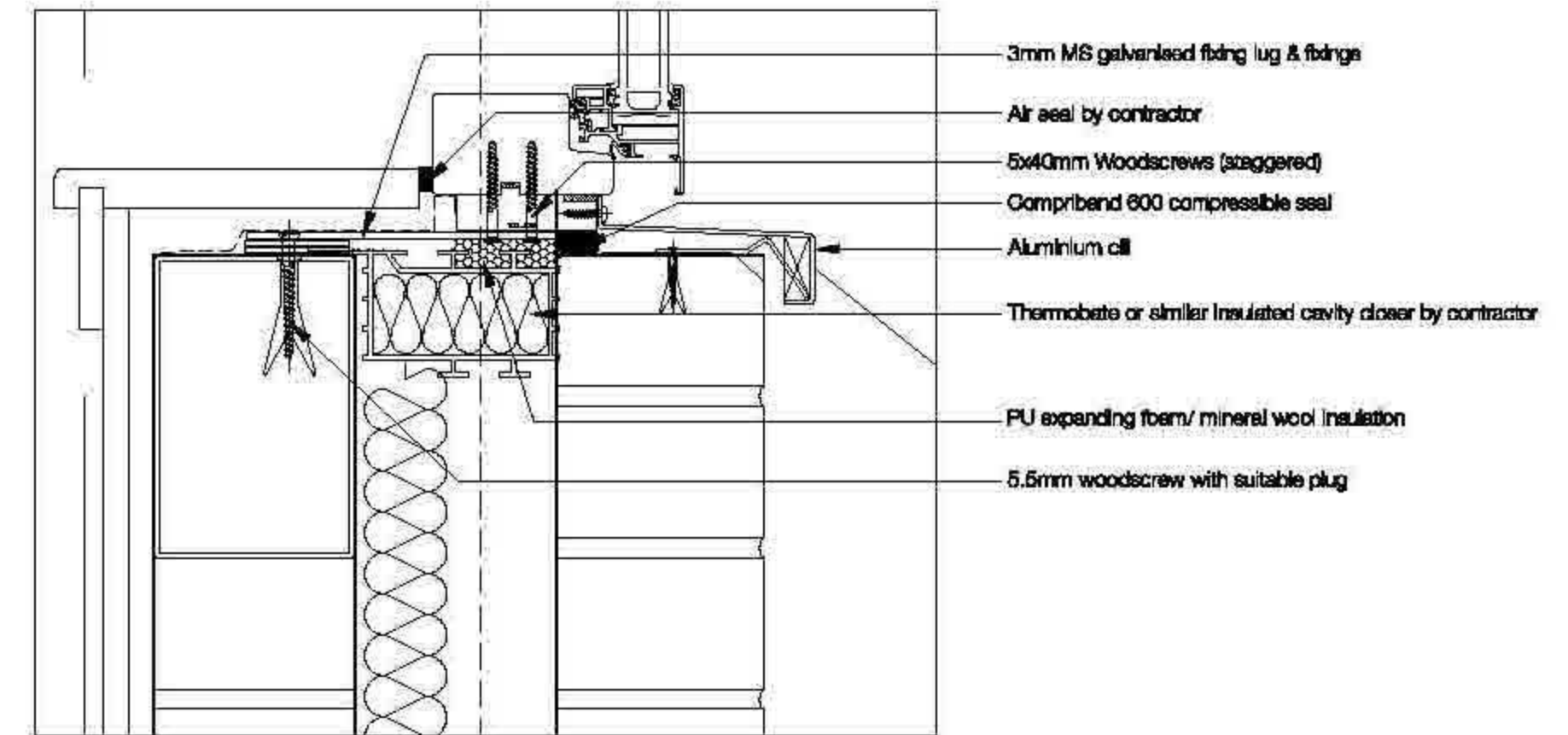
DETAIL 1 SECTION SCALE 1:5



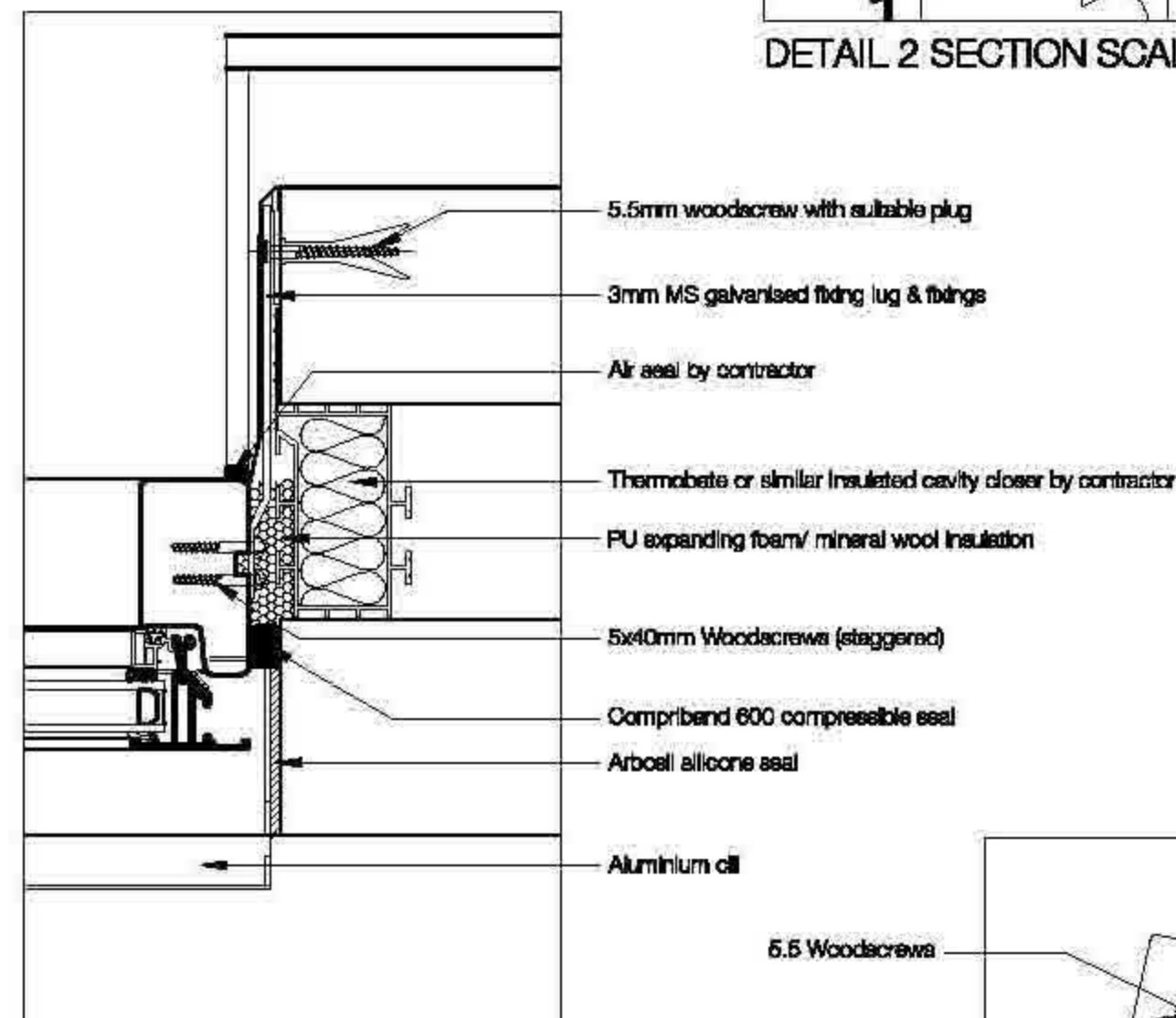
DETAIL 5 SECTION SCALE 1:5



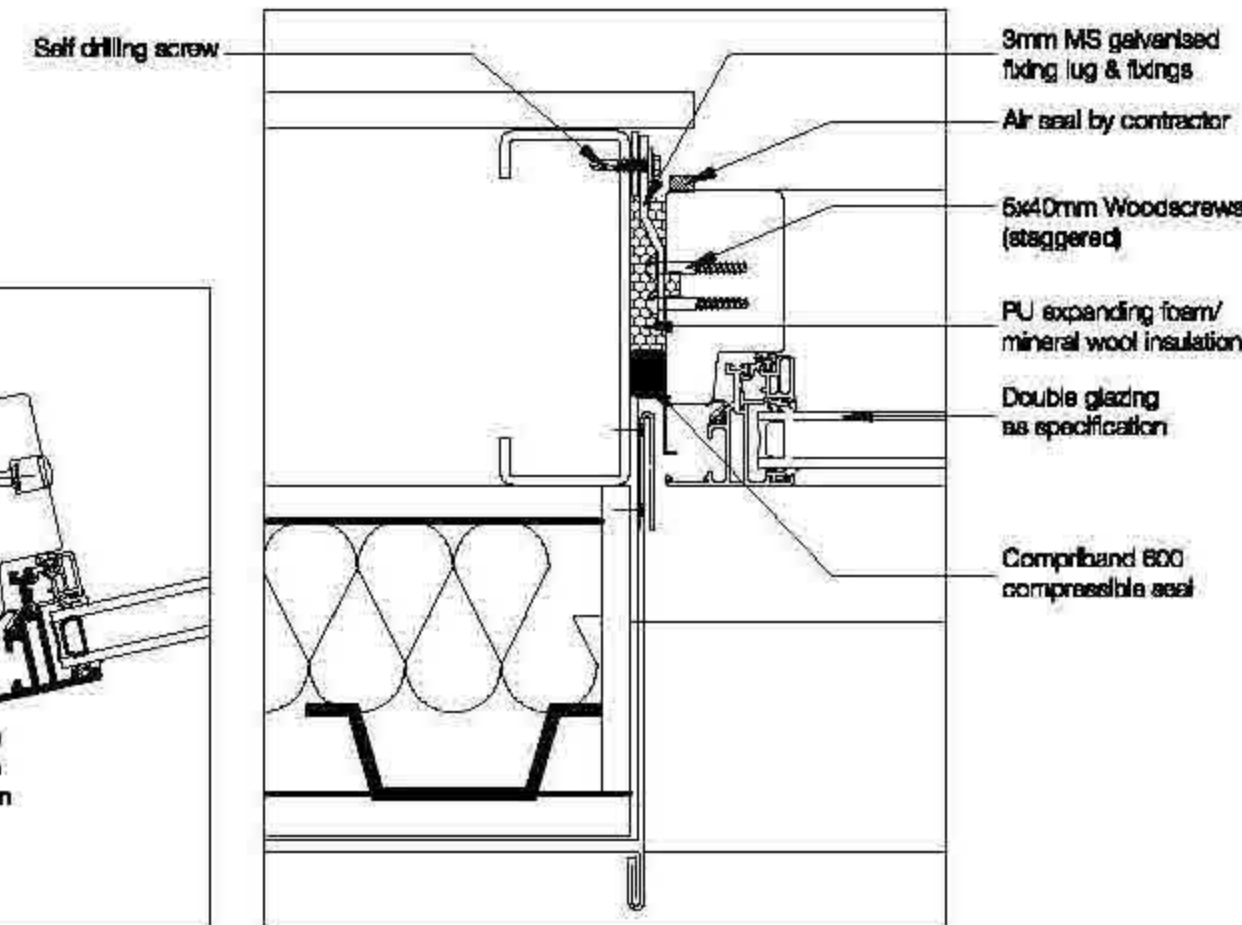
DETAIL 2 SECTION SCALE 1:5



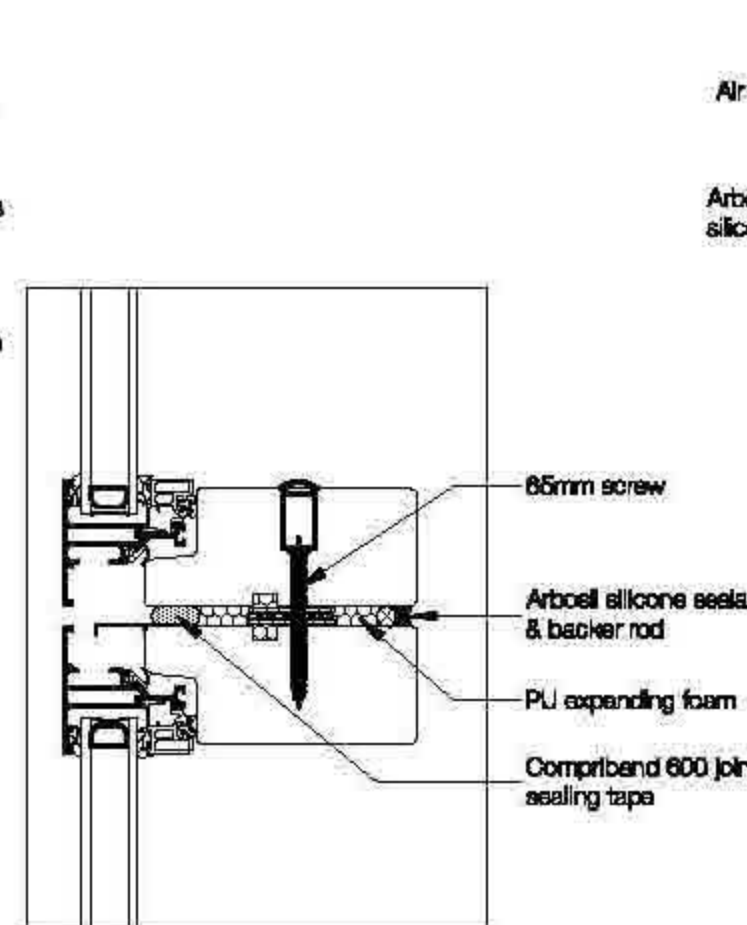
DETAIL 6 SECTION SCALE 1:5



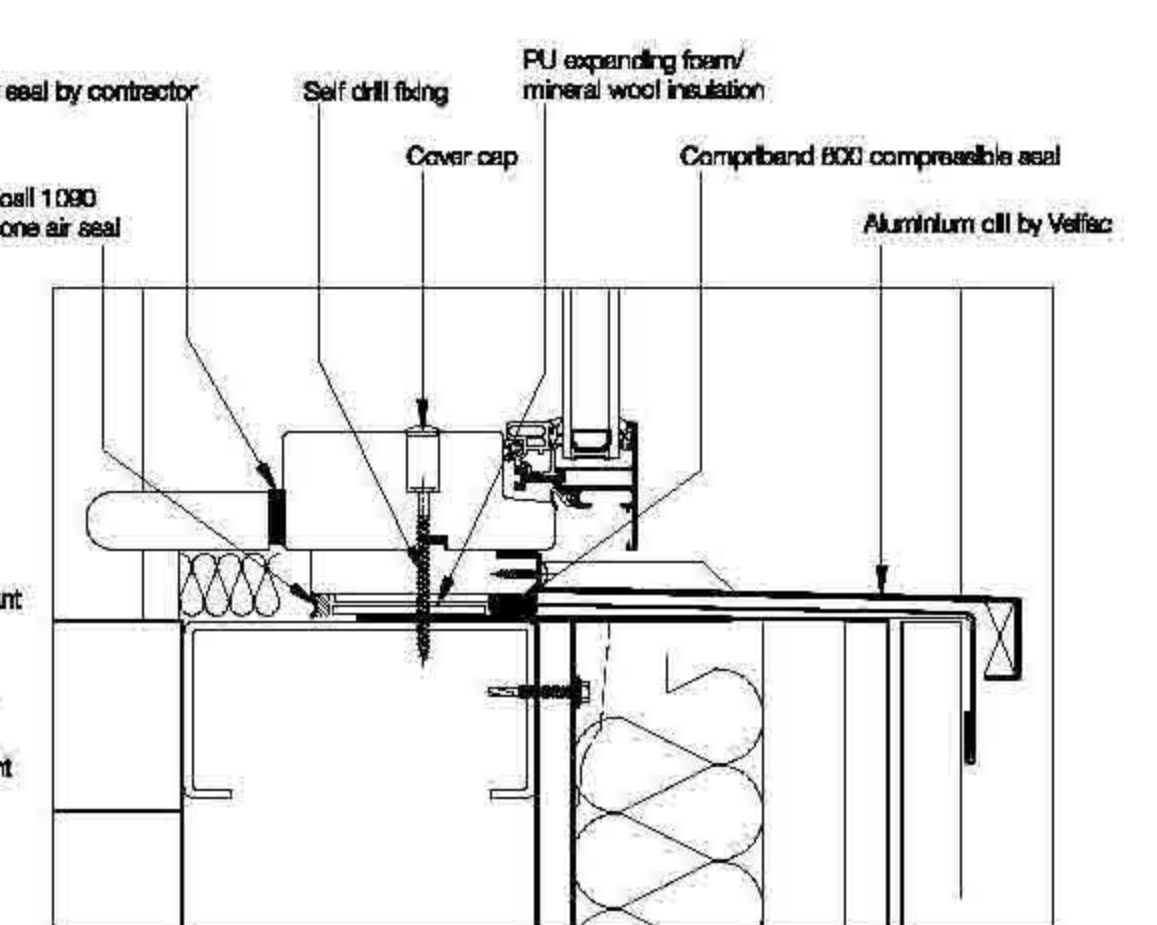
DETAIL 3 PLAN SCALE 1:5



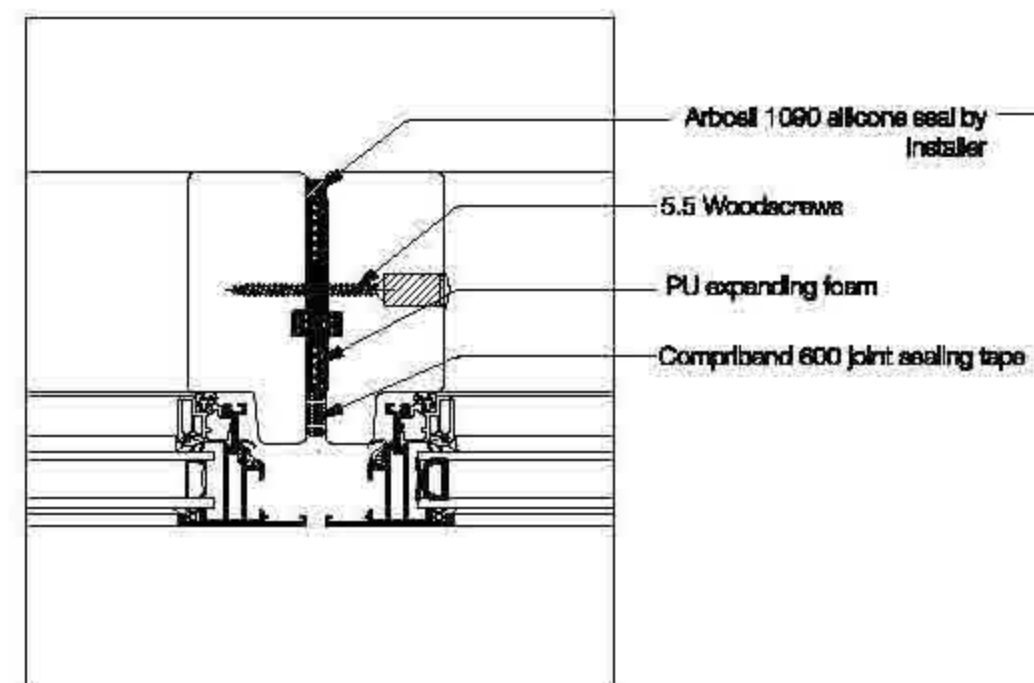
DETAIL 8 PLAN 1:5



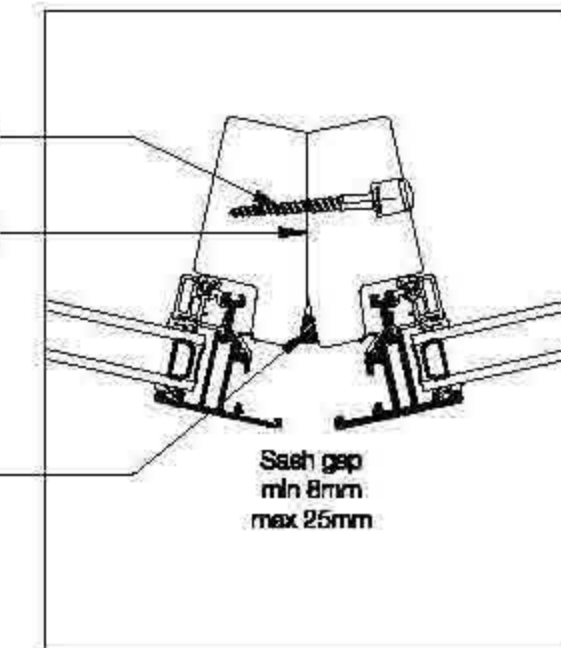
DETAIL 9 SECTION 1:5



DETAIL 10 SECTION 1:5



DETAIL 4 PLAN SCALE 1:5



DETAIL 7 PLAN 1:5

Project Name
The University of Edinburgh
Centre for Sport & Exercise
46 Pleasance, Edinburgh

Project no. - Drawing no. - Revision
1557-(31)03

Status
Billing

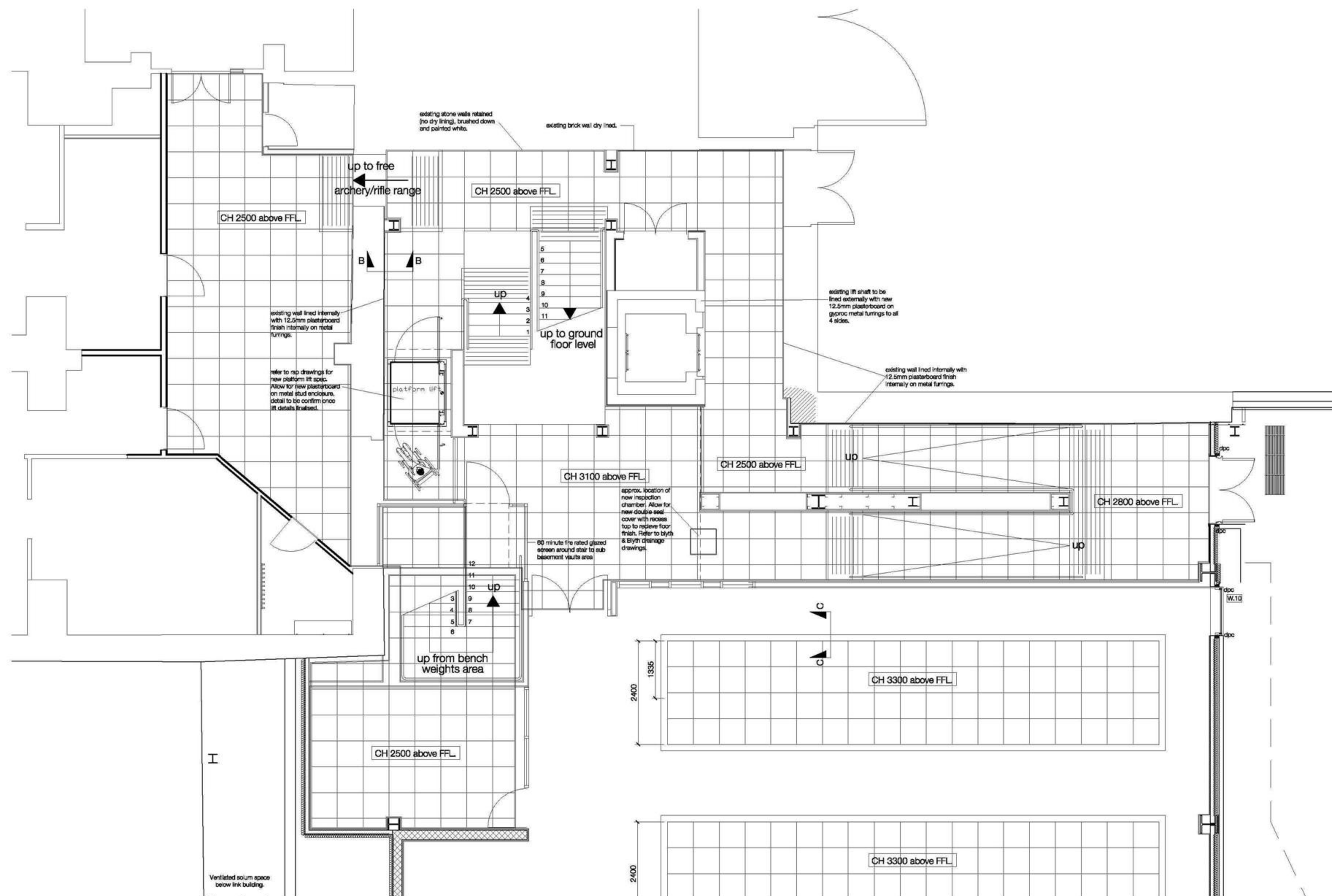
Title
WINDOW DETAILS

Drawn By
JS
Drawn Date
08/01/2009
Scale (A)
1:5

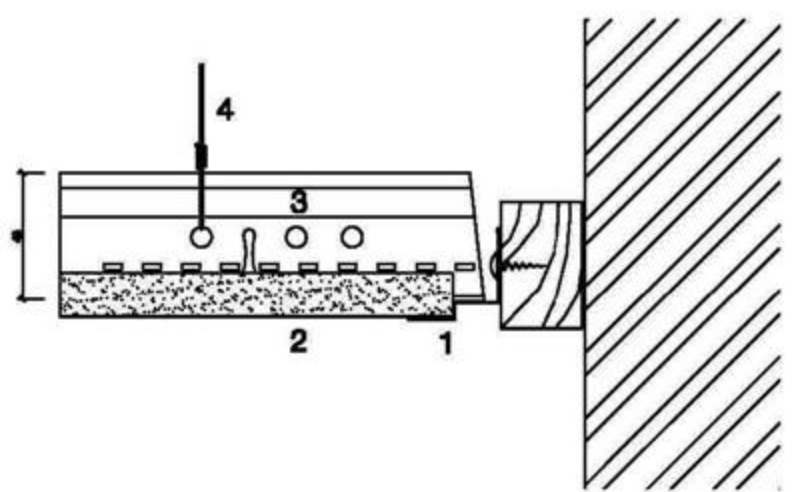
Oberlanders Architects LLP
16 Melville Street Edinburgh EH3 7NS
T 0131 225 8070
F 0131 220 3783
E mail@oberlanders.co.uk
www.oberlanders.co.uk



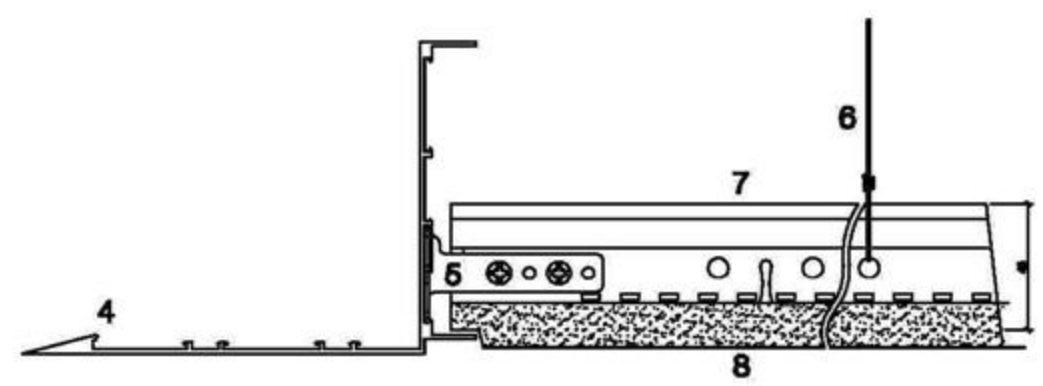
oberlanders



Reflected ceiling plan - basement level



- Key to detail**
- 1 - Perimeter finish with Shadowline BPT 1508 H
 - 2 - Armstrong Tegular or Microlook Mineral Fibre Tile
 - 3 - Armstrong Peakform 24mm or 15mm Exposed Tee Grid
 - 4 - 2mm Gauge Wire Hanger



Ceiling specification

Suspended ceiling rafts formed as shown with Armstrong modular ceiling (600x600mm 'OPTIMA' MICROLOOK tile) with Armstrong 'Adom knife edge' perimeter trim. Refer to spec. K40/105/A.

- Key to detail**
- 1 - Rigid Hanger (not shown)
 - 2 - Armstrong T35 Plasterboard Suspension Grid
 - 3 - 12.5mm Plasterboard
 - 4 - Armstrong 150mm Adom Profile (BP 564208 A)
 - 5 - Armstrong Adom Universal T-bar Connector Clip (BPA 339)
 - 6 - 2mm Gauge Wire Hanger
 - 7 - Armstrong Peakform 24mm or 15mm Exposed Tee Grid
 - 8 - Armstrong Tegular or Microlook Mineral Fibre Tile

Suspended ceiling detail B-B - 1:2 scale

Detail C-C at ceiling edge - scale 1:2

oberlanders

Project Name
 The University of Edinburgh
 Centre for Sport & Exercise
 46 Pleasance, Edinburgh

Title
 SUSPENDED CEILING PLAN

Status
 Billing

Project no. - Drawing no. - Revision
 1557-(35)04

Drawn By
 JS

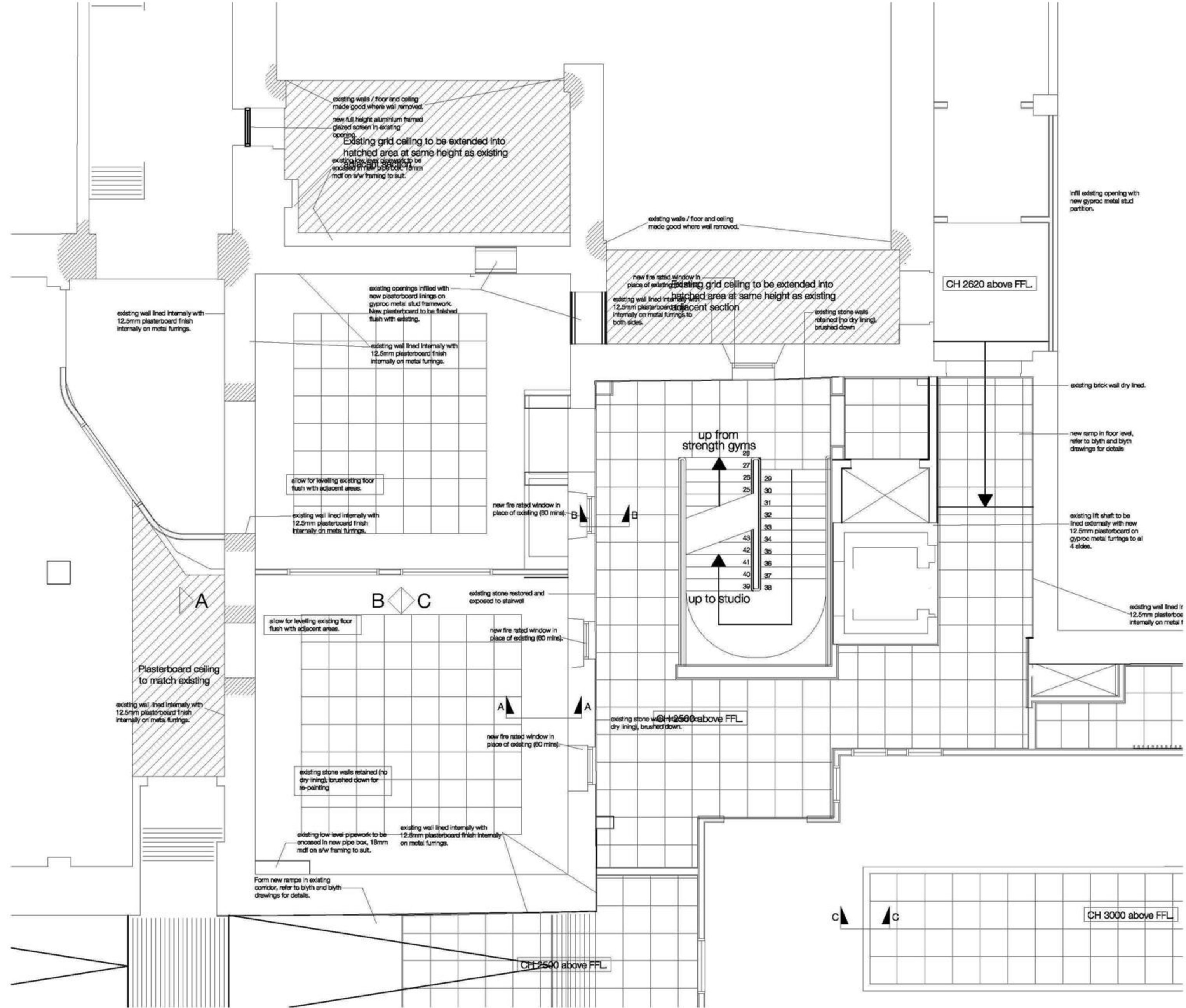
Check By
 JS

Design Date
 01/12/2008

Scale (s) @ A1
 1:100

Oberlanders Architects LLP
 16 Melville Street Edinburgh EH3 7NS
 T 0131 226 9070
 F 0131 220 0783
 E mail@oberlanders.co.uk
 www.oberlanders.co.uk

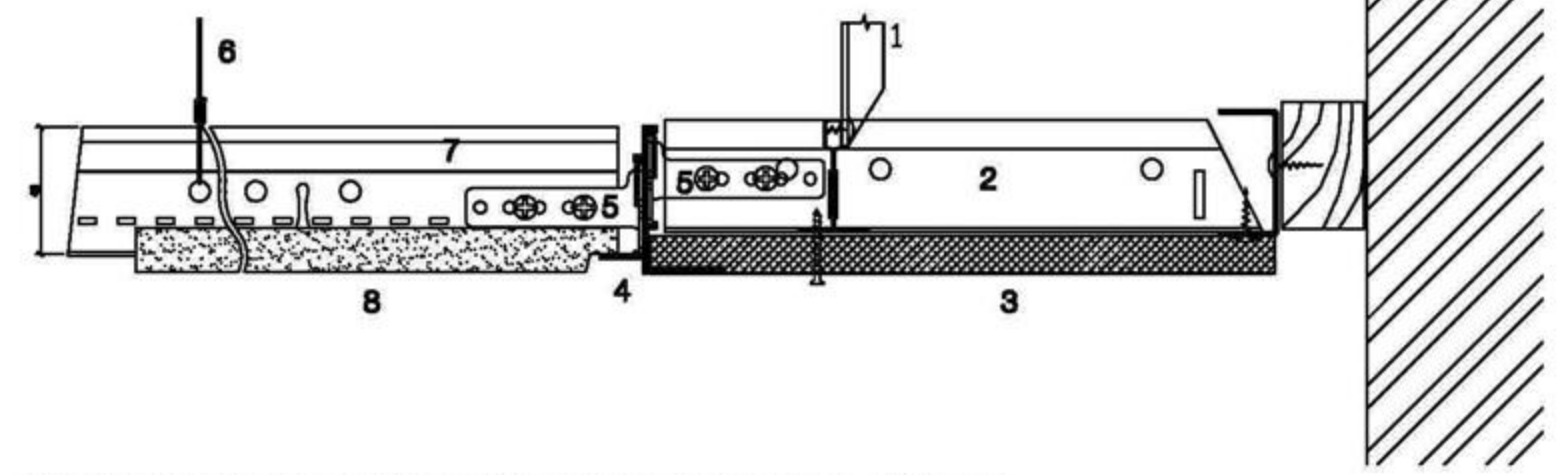
A1 Scale - A3 Scale		A1 Scale - A3 Scale	
1:1	1:2	1:5	1:10
1:10	1:20	1:25	1:50
1:50	1:100	1:100	1:200
1:250	1:500		
REV	DATE	AMENDMENT	



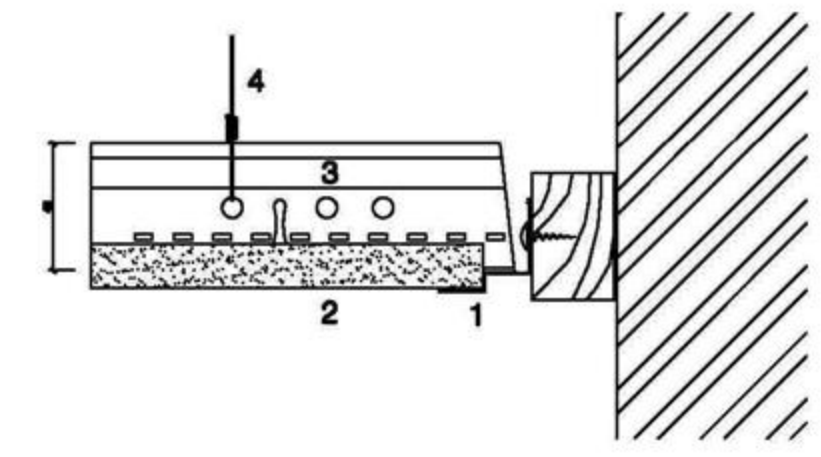
Reflected ceiling plan - Ground Floor Level

Key to detail

- 1 - Rigid Hanger
- 2 - Armstrong T35 Plasterboard Suspension Grid
- 3 - 12.5mm Plasterboard
- 4 - Armstrong 50mm Adom Transitions channel (BP T 3208 A)
- 5 - Armstrong Adom Universal T-bar Connector Clip (BPA 330)
- 6 - 2mm Gauge Wire Hanger
- 7 - Armstrong Peakform 24mm or 15mm Exposed Tee Grid
- 8 - Armstrong Tegular or Microlook Mineral Fibre Tile



Detail A-A at plaster margin and mineral suspended ceiling - 1:2 scale



Suspended ceiling detail B-B - 1:2 scale

Key to detail

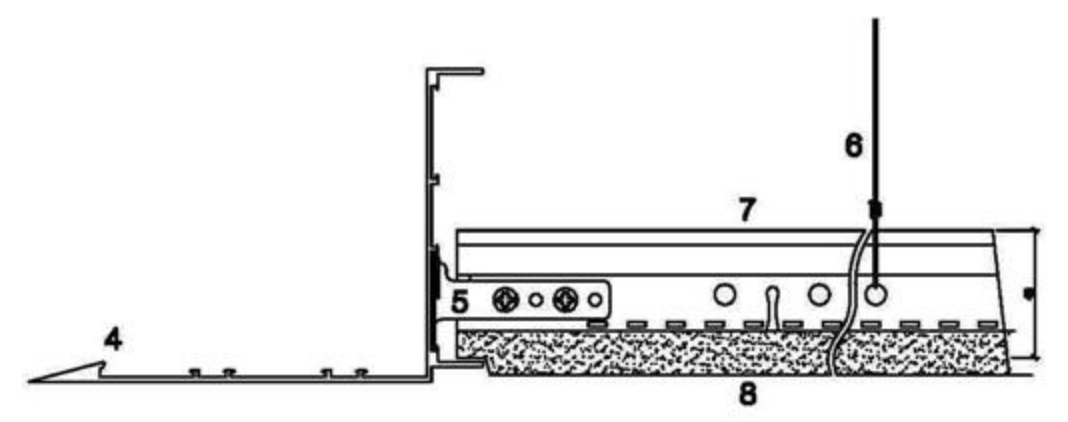
- 1 - Perimeter finish with Shadowline BPT 1508 H
- 2 - Armstrong Tegular or Microlook Mineral Fibre Tile
- 3 - Armstrong Peakform 24mm or 15mm Exposed Tee Grid
- 4 - 2mm Gauge Wire Hanger

Ceiling specification

Suspended ceiling rafts formed as shown with Armstrong modular ceiling (600x600mm 'OPTIMA' MICROLOOK tiles) with Armstrong 'Adom knife edge' perimeter trim. Refer to spec. K40/105/A.

Key to detail

- 1 - Rigid Hanger (not shown)
- 2 - Armstrong T35 Plasterboard Suspension Grid
- 3 - 12.5mm Plasterboard
- 4 - Armstrong 150mm Adom Profile (BP 584206 A)
- 5 - Armstrong Adom Universal T-bar Connector Clip (BPA 330)
- 6 - 2mm Gauge Wire Hanger
- 7 - Armstrong Peakform 24mm or 15mm Exposed Tee Grid
- 8 - Armstrong Tegular or Microlook Mineral Fibre Tile



Detail C-C at ceiling edge - scale 1:2



oberlanders

Project Name
The University of Edinburgh
Centre for Sport & Exercise
46 Pleasance, Edinburgh

Title
SUSPENDED CEILING PLAN
GROUND FLOOR -
EXISTING BUILDING ALTERATIONS

Status
Billing
Project no. - Drawing no. - Revision
1557-(35)05

Drawn By
JS
Oberlanders Architects LLP
16 Melville Street Edinburgh EH3 7NS
T 0131 226 9070
F 0131 220 0783
E mail@oberlanders.co.uk
www.oberlanders.co.uk

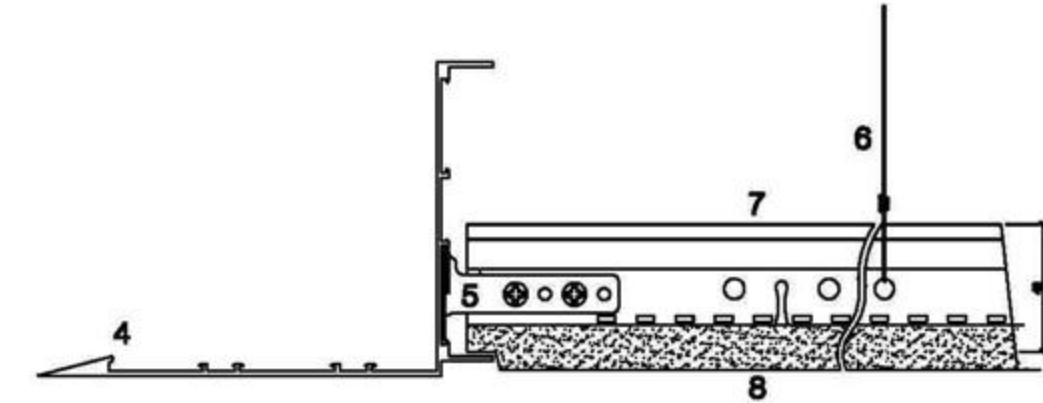
A1 Scale - A3 Scale		A1 Scale - A3 Scale	
1:1	1:2	1:5	1:10
1:10	1:20	1:25	1:50
1:50	1:100	1:100	1:200
1:250	1:500		
REV	DATE	AMENDMENT	

Ceiling specification

Suspended ceiling rafte formed as shown with Armstrong modular ceiling (600x600mm 'OPTIMA' MICROLOOK tiles) with Armstrong 'Axom knife edge' perimeter trim. Refer to spec. K40/105/A.

Key to detail

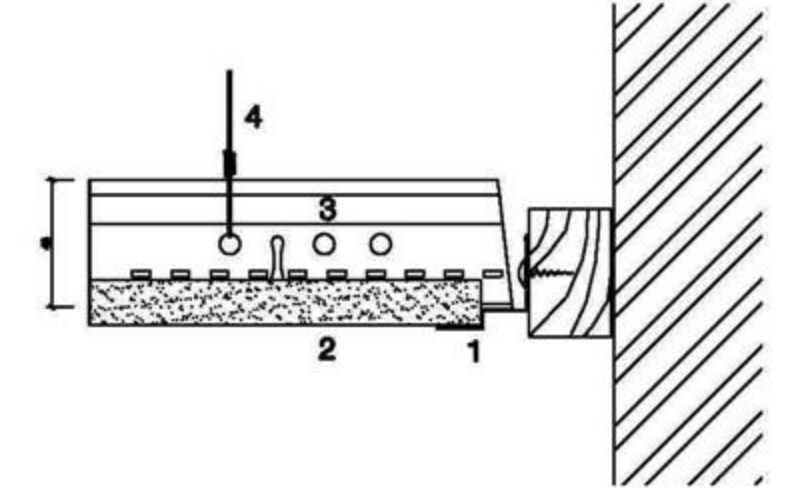
- 1 - Rigid Hanger (not shown)
- 2 - Armstrong T35 Plasterboard Suspension Grid
- 3 - 12.5mm Plasterboard
- 4 - Armstrong 150mm Axom Profile (BP 584208 A)
- 5 - Armstrong Axom Universal T-bar Connector Clip (BPA 339)
- 6 - 2mm Gauge Wire Hanger
- 7 - Armstrong Peakform 24mm or 15mm Exposed Tee Grid
- 8 - Armstrong Tegular or Microlook Mineral Fibre Tile



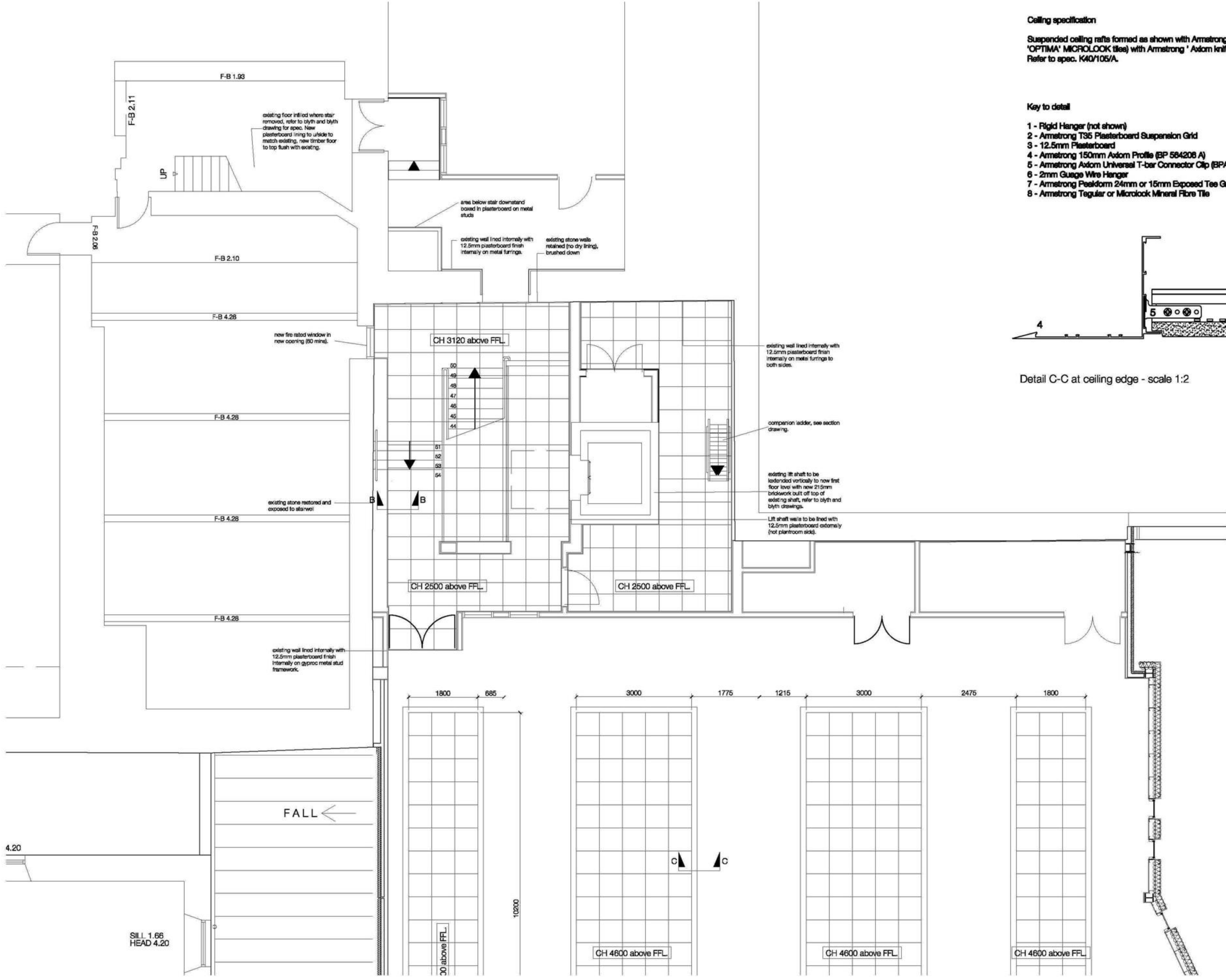
Detail C-C at ceiling edge - scale 1:2

Key to detail

- 1 - Perimeter finish with Shadowline BPT 1508 H
- 2 - Armstrong Tegular or Microlook Mineral Fibre Tile
- 3 - Armstrong Peakform 24mm or 15mm Exposed Tee Grid
- 4 - 2mm Gauge Wire Hanger



Suspended ceiling detail B-B - 1:2 scale



Reflected ceiling plan - First Floor level

oberlanders

Project Name
The University of Edinburgh
Centre for Sport & Exercise
46 Pleasance, Edinburgh

Title
**SUSPENDED CEILING PLAN
FIRST FLOOR LEVEL -
EXISTING BUILDING ALTERATIONS**

Status
Billing

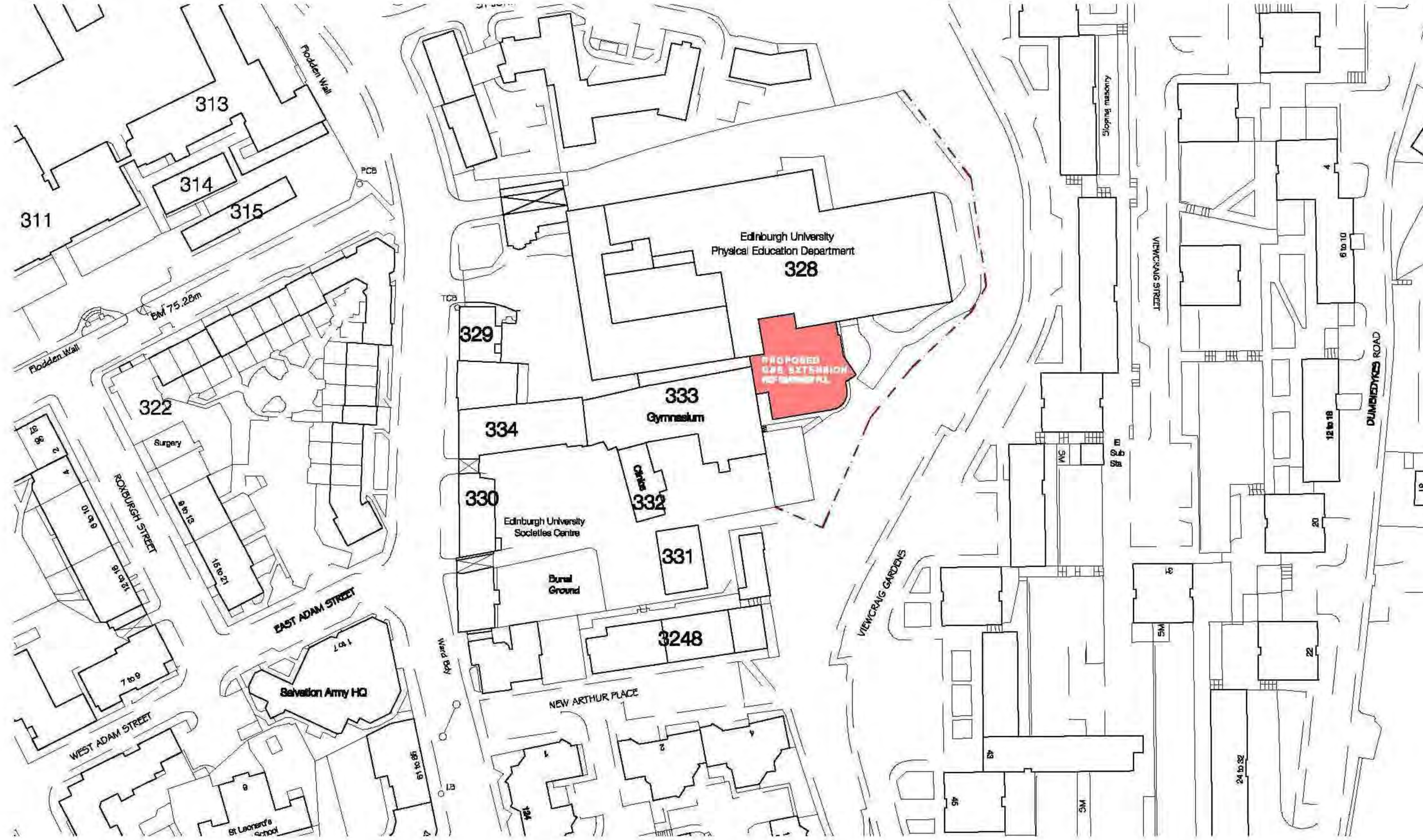
Project no. - Drawing no. - Revision
1557-(35)06



Drawn By
JS

Design Date
01/12/2008

Scale (s) @ A1
1:50

Oberlanders Architects LLP
16 Melville Street Edinburgh EH3 7NS
T 0131 226 9070
F 0131 220 3763
E mail@oberlanders.co.uk
www.oberlanders.co.uk



KEY
 Building to which application relates
 Site Boundary

Project Name The University of Edinburgh Centre for Sport & Exercise 46 Pleasance, Edinburgh	Project no. - Drawing no. - Revision 1557-(9-) 01
Title Site Plan	Status Warrant
Drawn By GK	Oberlanders Architects LLP 82 George Street Edinburgh EH2 2LR T 0131 225 8070 F 0131 220 3783 E mail@oberlanders.co.uk www.oberlanders.co.uk
Drawn Date 29/09/2008	
Scale (s) 1:1000	

